

TZ Series

TZ 同轴系列专业音箱



TZ series TZ10

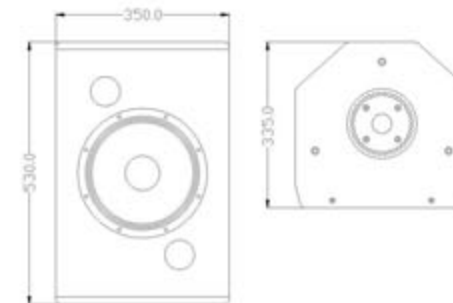
Two-way Coaxial Loudspeaker System



The TZ10 is an all-purpose full-range loudspeaker designed for near-field contracting applications. Rated at 250 watts(RMS), fitted with one 10" Woofer and one 1" HF compression driver with a wide dispersion HF horn.

TZ10 是一款10寸两分音全音域音箱。采用一只10寸高效率低音与一只1寸喉口44芯高分子聚酯膜高音驱动器配置90°x90°号角组合单元，箱体采用多层复合夹板，特殊喷涂制作。

CONFIGURATION



FEATURES

- Ultra-compact two way system
- multi-angle plywood enclosure
- User rotatable 90° × 90° horn
- High power output
- Flexible mounting options

产品特点

- 高质量单元配置，高强度夹板箱体
- 体积小、重量轻便于搬运和固定安装
- 多吊挂点与支撑配合，操作简易快捷
- 超长品质保证期：品质与信心的保证

适用范围

- 用于全音域扩声、语言会议系统、高级卡拉OK包房
- 多功能厅、高级酒店会所
- 流动商演、乐队扩声以及舞台返送音箱

FREQUENCY RESPONSE(-3dB)	55 Hz-18kHz
DRIVERS	1×10" (250mm)/2.5" voice coil Woofer 1×1" (25mm)/1.4" voice coil driver
RATED POWER	250W RMS,1000W peak
SENSITIVITY	95dB/ 1watt/1 metre
MAXIMUM SPL	119dB continuous,125 dB peak
IMPEDANCE	8 ohms nominal
DISPERSION(-6dB)	90° × 90°
CROSSOVER FREQUENCIES	2.5kHz passive
INPUT CONNECTORS	2× Speakon NL4
PACKAGE SIZE	440mm×425mm×625mm
NET WEIGHT	15kg
GROSS WEIGHT	17kg



TZseries TZ12

Two-way Coaxial Loudspeaker System

The TZ12 is the ideal general-purpose loudspeaker with a wide frequency response, suitable for all kinds of mid-field theatre and live venue applications that require professional sound quality.

TZ12 是一款12寸两分音全音域音箱。采用一只12寸高效率低音与一只1寸喉口44芯高分子聚酯膜高音驱动器配置90°x90°号角组合单元，箱体采用多层复合夹板，特殊喷涂制作。

FEATURES

- Compact two-way passive system
- multi-angle plywood enclosure
- User rotatable 90° × 90° horn

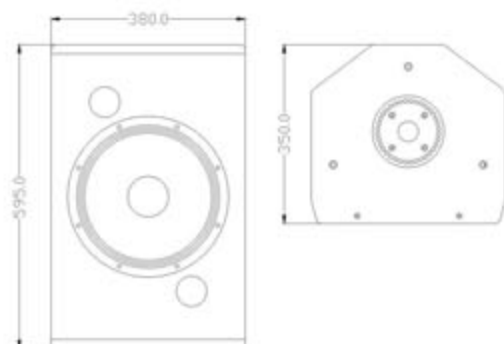
产品特点

- 高质量单元配置，高强度夹板箱体
- 多吊挂点与支撑配合，操作简易快捷
- 超长品质保证期：品质与信心的保证

适用范围

- 用于全音域扩声、高级卡拉OK包房、慢摇吧
- 多功能厅、高级酒店会所
- 流动商演、乐队扩声以及舞台返送音箱

CONFIGURATION



TZseries TZ15

Two-way Coaxial Loudspeaker System

The TZ15 is the ideal general-purpose loudspeaker with a wide frequency response, suitable for all kinds of mid-field theatre and live venue applications that require professional sound quality.

TZ15 是一款15寸两分音全音域音箱。采用一只15寸高效率低音与一只1.4寸喉口75芯复合振膜高音驱动器配置90°x90°号角组合单元，箱体采用多层复合夹板，特殊喷涂制作。

FEATURES

- Wide-bandwidth system
- Multi-angle plywood enclosure
- User rotatable 90° × 90° horn

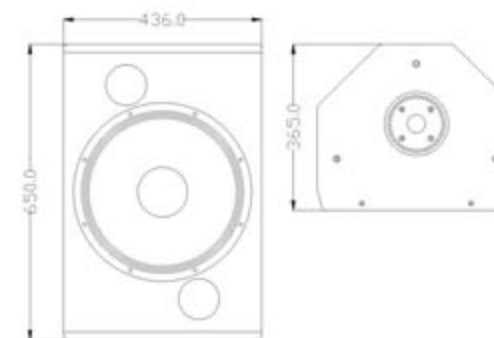
产品特点

- 高质量单元配置，高强度夹板箱体
- 多吊挂点与支撑配合，操作简易快捷
- 超长品质保证期：品质与信心的保证

适用范围

- 用于全音域扩声、高级卡拉OK包房、慢摇吧
- 多功能厅、高级酒店会所
- 流动商演、乐队扩声以及舞台返送音箱

CONFIGURATION



FREQUENCY RESPONSE(-3dB)	50 Hz-18kHz
DRIVERS	1 × 12" (300mm)/3" voice coil Woofer 1 × 1" (25mm)/1.7" voice coil driver
RATED POWER	300W RMS, 1200W peak
SENSITIVITY	97dB/ 1watt/1 metre
MAXIMUM SPL	122dB continuous, 128 dB peak
IMPEDANCE	8 ohms nominal
DISPERSION(-6dB)	90° × 90°
CROSSOVER FREQUENCIES	2kHz passive
INPUT CONNECTORS	2 × Speakon NL4
PACKAGE SIZE	470mm × 440mm × 690mm
NET WEIGHT	19kg
GROSS WEIGHT	22kg

FREQUENCY RESPONSE(-3dB)	40 Hz-18kHz
DRIVERS	1 × 15" (385mm)/3" voice coil Woofer 1 × 1" (25mm)/1.7" voice coil driver
RATED POWER	400W RMS, 1600W peak
SENSITIVITY	98dB 1watt/1 metre
MAXIMUM SPL	124dB continuous, 130 dB peak
IMPEDANCE	8 ohms nominal
DISPERSION(-6dB)	90° × 90°
CROSSOVER FREQUENCIES	2.2kHz passive
INPUT CONNECTORS	2 × Speakon NL4
PACKAGE SIZE	530mm × 455mm × 750mm
NET WEIGHT	25kg
GROSS WEIGHT	29kg