



## U series U108

Two-way Loudspeaker System

The U108 is an all-purpose full-range loudspeaker designed for near-field contracting applications. Rated at 150 watts(RMS), fitted with one 8" Woofer and one 1" HF compression driver with a wide dispersion HF horn.

U108是一款8寸两分音全音域音箱。采用一只8寸高效率低音单元，一只1寸喉口25芯高分子聚酯膜高音驱动器配置90°x50°可旋转号角，箱体采用多层复合夹板，特殊喷涂制作。

### FEATURES

- Ultra-compact two way system
- multi-angle plywood enclosure
- User rotatable 90° × 50° horn
- Flexible mounting options

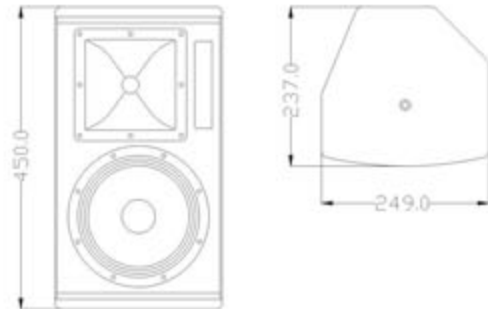
### 产品特点

- 高质量单元配置，高强度夹板箱体
- 体积小、重量轻便于搬运和固定安装
- 多吊挂点与支撑配合，操作简易快捷
- 超长品质保证期：品质与信心的保证

### 适用范围

- 用于全音域扩声、语言扩声会议系统
- 背景音乐，酒吧舞厅等也可作为小型舞台返送音箱

### CONFIGURATION



www.fdbaudio.com

<b>FREQUENCY RESPONSE(-3dB)</b>	60 Hz-18kHz
<b>DRIVERS</b>	1×8" (200mm)/2" voice coil Woofer 1×1" (25mm)/1" voice coil driver
<b>RATED POWER</b>	150W RMS,600W peak
<b>SENSITIVITY</b>	93dB/ 1watt/1 metre
<b>MAXIMUM SPL</b>	115dB continuous,121 dB peak
<b>IMPEDANCE</b>	8 ohms nominal
<b>DISPERSION(-6dB)</b>	90° × 50°
<b>CROSSOVER FREQUENCIES</b>	2.8kHz passive
<b>INPUT CONNECTORS</b>	2× Speakon NL4
<b>PACKAGE SIZE</b>	322mm×310mm×535mm
<b>NET WEIGHT</b>	10.6kg
<b>GROSS WEIGHT</b>	12kg



## U series U110

Two-way Loudspeaker System

The U110 is an all-purpose full-range loudspeaker designed for near-field contracting applications. Rated at 250 watts(RMS), fitted with one 10" Woofer and one 1" HF compression driver with a wide dispersion HF horn.

U110是一款10寸两分音全音域音箱。采用一只10寸高效率低音单元，一只1寸喉口44芯高分子聚酯膜高音驱动器配置90°x50°可旋转号角，箱体采用多层复合夹板，特殊喷涂制作。

### FEATURES

- Ultra-compact two way system
- multi-angle plywood enclosure
- User rotatable 90° × 50° horn
- High power output
- Flexible mounting options

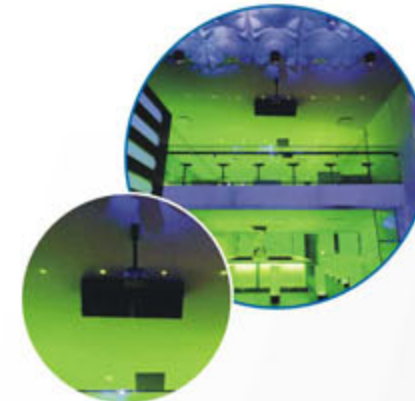
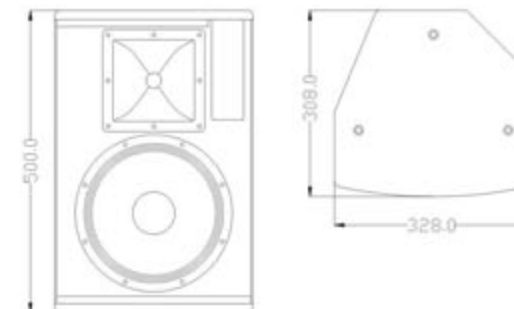
### 产品特点

- 高质量单元配置，高强度夹板箱体
- 体积小、重量轻便于搬运和固定安装
- 多吊挂点与支撑配合，操作简易快捷
- 超长品质保证期：品质与信心的保证

### 适用范围

- 用于全音域扩声、语言会议系统、高级卡拉OK包房
- 多功能厅、高级酒店会所
- 流动商演、乐队扩声以及舞台返送音箱

### CONFIGURATION



www.fdbaudio.com

<b>FREQUENCY RESPONSE(-3dB)</b>	55 Hz-18kHz
<b>DRIVERS</b>	1×10" (250mm)/2.5" voice coil Woofer 1×1" (25mm)/1.7" voice coil driver
<b>RATED POWER</b>	250W RMS,1000W peak
<b>SENSITIVITY</b>	95dB 1watt/1 metre
<b>MAXIMUM SPL</b>	119dB continuous,125 dB peak
<b>IMPEDANCE</b>	8 ohms nominal
<b>DISPERSION(-6dB)</b>	90° × 50°
<b>CROSSOVER FREQUENCIES</b>	2kHz passive
<b>INPUT CONNECTORS</b>	2× Speakon NL4
<b>PACKAGE SIZE</b>	401mm×381mm×585mm
<b>NET WEIGHT</b>	15.5kg
<b>GROSS WEIGHT</b>	17kg



## U series U112

### Two-way Loudspeaker System

The U112 is the ideal general-purpose loudspeaker with a wide frequency response, suitable for all kinds of mid-field theatre and live venue applications that require professional sound quality.

U112是一款12寸两分音全音域音箱。采用一只12寸高效率低音单元，一只1寸喉口44芯高分子聚酯膜高音驱动器配置90°x40°可旋转号角，箱体采用多层复合夹板，特殊喷涂制作。

#### FEATURES

- Compact two-way passive system
- multi-angle plywood enclosure
- User rotatable 90° x 40° horn
- Top hat fitting for tripod mounting

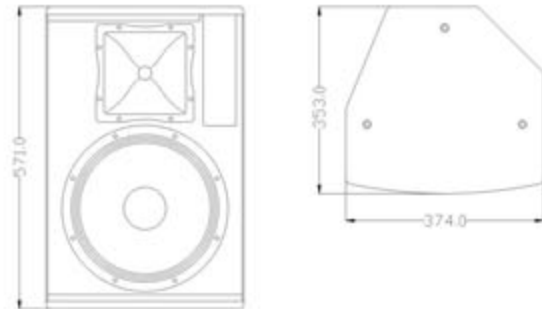
#### 产品特点

- 高质量单元配置，高强度夹板箱体
- 多吊挂点与支撑配合，操作简易快捷
- 超长品质保证期：品质与信心的保证

#### 适用范围

- 用于全音域扩声、高级卡拉OK包房、慢摇吧
- 多功能厅、高级酒店会所
- 流动商演、乐队扩声以及舞台返送音箱

#### CONFIGURATION



## U series U115

### Two-way Loudspeaker System

The U115 is the ideal general-purpose loudspeaker with a wide frequency response, suitable for all kinds of mid-field theatre and live venue applications that require professional sound quality.

U115是一款15寸两分音全音域音箱。采用一只15寸高效率低音单元，一只1.4寸喉口75芯复合振膜高音驱动器配置90°x40°可旋转号角，箱体采用多层复合夹板，特殊喷涂制作。

#### FEATURES

- Wide-bandwidth system
- Multi-angle plywood enclosure
- User rotatable 90° x 40° horn
- Top hat fitting for tripod mounting
- 1.4" (35mm) compression driver

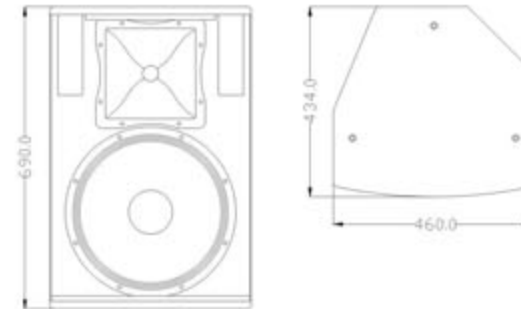
#### 产品特点

- 高质量单元配置，高强度夹板箱体
- 多吊挂点与支撑配合，操作简易快捷
- 超长品质保证期：品质与信心的保证

#### 适用范围

- 用于全音域扩声、高级卡拉OK包房、慢摇吧
- 多功能厅、高级酒店会所
- 流动商演、乐队扩声以及舞台返送音箱

#### CONFIGURATION



<b>FREQUENCY RESPONSE(-3dB)</b>	50 Hz-18kHz
<b>DRIVERS</b>	1×12"(300mm)/3" voice coil Woofer 1×1"(25mm)/1.7" voice coil driver
<b>RATED POWER</b>	300W RMS, 1200W peak
<b>SENSITIVITY</b>	97dB/ 1watt/1 metre
<b>MAXIMUM SPL</b>	122dB continuous, 128 dB peak
<b>IMPEDANCE</b>	8 ohms nominal
<b>DISPERSION(-6dB)</b>	90° × 40°
<b>CROSSOVER FREQUENCIES</b>	2kHz passive
<b>INPUT CONNECTORS</b>	2× Speakon NL4
<b>PACKAGE SIZE</b>	486mm×465mm×690mm
<b>NET WEIGHT</b>	19.6kg
<b>GROSS WEIGHT</b>	23kg

<b>FREQUENCY RESPONSE(-3dB)</b>	40 Hz-18kHz
<b>DRIVERS</b>	1×15" (385mm)/3" voice coil Woofer 1×1.4" (36mm)/3" voice coil driver
<b>RATED POWER</b>	400W RMS, 1600W peak
<b>SENSITIVITY</b>	98dB/ 1watt/1 metre
<b>MAXIMUM SPL</b>	124dB continuous, 130 dB peak
<b>IMPEDANCE</b>	8 ohms nominal
<b>DISPERSION(-6dB)</b>	90° × 40°
<b>CROSSOVER FREQUENCIES</b>	1.5kHz passive
<b>INPUT CONNECTORS</b>	2× Speakon NL4
<b>PACKAGE SIZE</b>	570mm×550mm×810mm
<b>NET WEIGHT</b>	25kg
<b>GROSS WEIGHT</b>	29kg



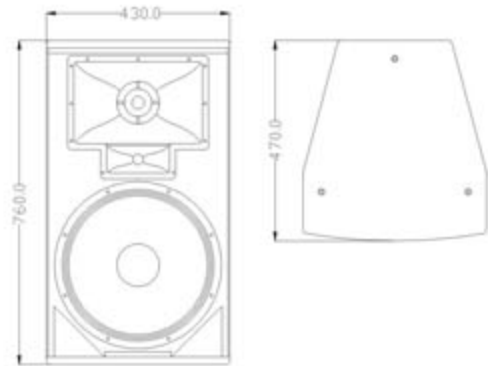
## U series U153

### Three-way Loudspeaker System

The U153 is a 3-way, very high output, mid/high/mid-bass module designed as part of a complete U system. The U153 is compact and can be combined with a variety of U series subwoofers. As a single system it offers one of the highest quality portable sound reinforcement solutions in the market today.

U153是一款15寸三分音全音域音箱。采用一只15寸75芯高功率低音单元，一只6.5寸负载中音，一只1寸喉口钛膜高音驱动器配置专门设计的一体号角，箱体采用多层复合夹板，特殊喷涂制作。

#### CONFIGURATION



#### FEATURES

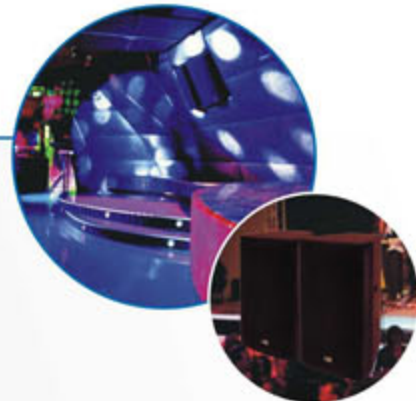
- Ultra-compact three way system
- multi-angle plywood enclosure
- User rotatable 65° × 40° horn
- High power output
- Flexible mounting options

#### 产品特点

- 高质量单元配置，高强度夹板箱体
- 多吊挂点与支撑配合，操作简易快捷
- 超长品质保证期：品质与信心的保证

#### 适用范围

- 用于全音域扩声、高级卡拉OK包房、慢摇吧
- 多功能厅、高级酒店会所
- 流动商演、乐队扩声



<b>FREQUENCY RESPONSE(-3dB)</b>	45 Hz-20kHz
<b>DRIVERS</b>	1×15" (380mm)/3" voice coil woofer 1×6.5" (165mm)/1.5" voice coil mid-bass 1×1" (25mm)/1.4" voice coil driver
<b>RATED POWER</b>	400W RMS, 1600W peak
<b>SENSITIVITY</b>	99dB/1watt/1 metre
<b>MAXIMUM SPL</b>	125dB continuous, 131 dB peak
<b>IMPEDANCE</b>	8 ohms nominal
<b>DISPERSION(-6dB)</b>	65° × 40°
<b>CROSSOVER FREQUENCIES</b>	800Hz 2.5kHz passive
<b>INPUT CONNECTORS</b>	2× Speakon NL4
<b>PACKAGE SIZE</b>	560mm×520mm×860mm
<b>NET WEIGHT</b>	32kg
<b>GROSS WEIGHT</b>	36kg

www.fdbaudio.com



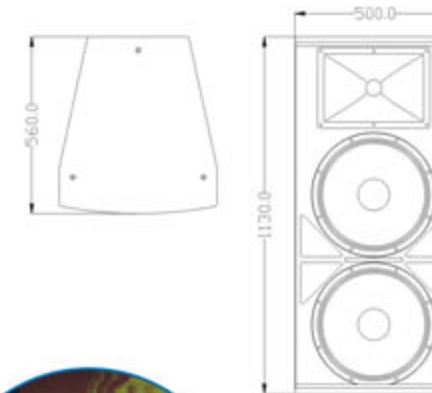
## U series U215

### Two-way Loudspeaker System

The U215 is the ideal general-purpose loudspeaker with a wide frequency response, suitable for all kinds of mid-field theatre and live venue applications that require professional sound quality.

U215是一款双15寸两分音全音域音箱。采用两只15寸高功率低音单元，一只2寸喉口75芯复合振膜高音驱动器配置专门设计的号角，箱体采用多层复合夹板，特殊喷涂制作。

#### CONFIGURATION



#### FEATURES

- Very high SPL from a full range passive enclosure
- Extended low frequency performance from dual 15" drivers
- Dedicated low distortion mid-bass driver
- User rotatable 90° × 50° horn
- 2" (50mm) exit titanium dome compression driver
- Multi-laminate plywood construction

#### 产品特点

- 高质量单元配置，高强度夹板箱体
- 多吊挂点与支撑配合，操作简易快捷
- 超长品质保证期：品质与信心的保证

#### 适用范围

- 用于全音室内、外扩声
- 多功能厅、高级酒店会所



<b>FREQUENCY RESPONSE(-3dB)</b>	40 Hz-18kHz
<b>DRIVERS</b>	2×15" (385mm)/4" voice coil Woofer 1×2" (50mm)/3" voice coil driver
<b>RATED POWER</b>	1200W RMS, 4000W peak
<b>SENSITIVITY</b>	101dB/1watt/1 metre
<b>MAXIMUM SPL</b>	131dB continuous, 137 dB peak
<b>IMPEDANCE</b>	4 ohms nominal
<b>DISPERSION(-6dB)</b>	90° × 50°
<b>CROSSOVER FREQUENCIES</b>	1.5 kHz passive
<b>INPUT CONNECTORS</b>	2× Speakon NL4
<b>PACKAGE SIZE</b>	650mm×590mm×1240mm
<b>NET WEIGHT</b>	70kg
<b>GROSS WEIGHT</b>	75kg

www.fdbaudio.com



## U series U115BII

Sub-woofer System

The U115B II is a single 15" low frequency enclosure designed for sub-bass reinforcement to U Compact series in a wide variety of fixed installation.

U115B II 是一单15寸超低音箱。采用一只15寸100芯低音单元，倒相式箱体设计，箱体采用多层复合夹板，特殊喷涂制作。

### FEATURES

- Compact vented sub-bass
- Direct radiating 15" (385mm) driver
- High temperature 4" (100mm) voice coil
- Top hat fitting for pole mounting U108/U110

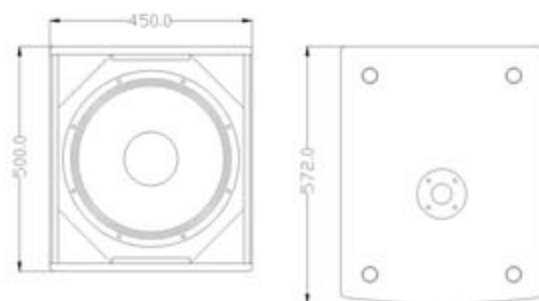
### 产品特点

- 高质量单元配置，高强度夹板箱体
- 倒相式设计，低音丰富自然
- 超长品质保证期：品质与信心的保证

### 适用范围

- 用于有超低音重放需求的高级卡拉OK包房、慢摇吧
- 多功能厅、高级酒店会所
- 流动商演、乐队扩声

### CONFIGURATION



<b>FREQUENCY RESPONSE(-3dB)</b>	40 Hz-300Hz
<b>DRIVERS</b>	1×15" (385mm)/4" voice coil Woofer
<b>RATED POWER</b>	600W RMS, 2400W peak
<b>SENSITIVITY</b>	99dB/1watt/1 metre
<b>MAXIMUM SPL</b>	126 dB continuous, 132 dB peak
<b>IMPEDANCE</b>	8 ohms nominal
<b>INPUT CONNECTORS</b>	2× Speakon NL4
<b>PACKAGE SIZE</b>	660mm×540mm×600mm
<b>NET WEIGHT</b>	33kg
<b>GROSS WEIGHT</b>	38kg



## U series U118BII

Sub-woofer System

The U118B II is a single 18" low frequency enclosure designed for sub-bass reinforcement to U Compact series in a wide variety of fixed installation.

U118B II 是一单18寸超低音箱。采用一只18寸100芯低音单元，倒相式箱体设计，箱体采用多层复合夹板，特殊喷涂制作。

### FEATURES

- Compact vented sub-bass
- Direct radiating 18" (460mm) driver
- High temperature 4" (100mm) voice coil
- Top hat fitting for pole mounting U112/U115

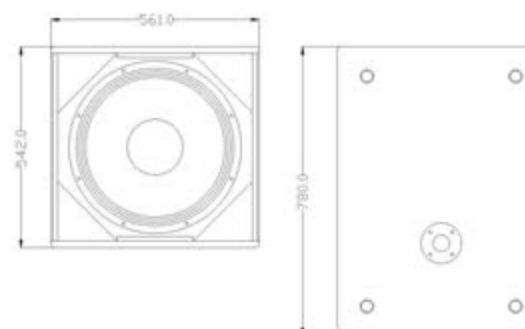
### 产品特点

- 高质量单元配置，高强度夹板箱体
- 倒相式设计，低音强劲自然
- 超长品质保证期：品质与信心的保证

### 适用范围

- 用于有超低音重放需求的高级卡拉OK包房、慢摇吧
- 多功能厅、高级酒店会所
- 流动商演、乐队扩声

### CONFIGURATION



<b>FREQUENCY RESPONSE(-3dB)</b>	40 Hz-300Hz
<b>DRIVERS</b>	1×18" (460mm)/4" voice coil Woofer
<b>RATED POWER</b>	600W RMS, 2400W peak
<b>SENSITIVITY</b>	100dB/1watt/1 metre
<b>MAXIMUM SPL</b>	128 dB continuous, 134 dB peak
<b>IMPEDANCE</b>	8 ohms nominal
<b>INPUT CONNECTORS</b>	2× Speakon NL4
<b>PACKAGE SIZE</b>	880mm×655mm×640mm
<b>NET WEIGHT</b>	45kg
<b>GROSS WEIGHT</b>	52kg



## U series **U218BII**

Sub-woofer System

The **U218B II** provides deep and punchy bass(down to 36HZ) suitable for all club applications as part of the U Compact system.

### FEATURES

- Direct radiating 18"(460mm) drivers
- High temperature 4" (100mm) voice coil
- Fitted with handles

**U218B II** 是一款双18寸超低音箱。采用两只18寸100芯超低音单元，倒相式箱体设计，箱体采用多层复合夹板，特殊喷涂制作。

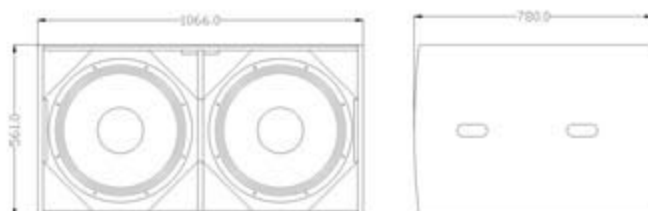
### 产品特点

- 高质量单元配置，高强度夹板箱体
- 倒相式设计，低音强劲自然
- 超长品质保证期：品质与信心的保证

### 适用范围

- 用于有超低音重放需求的高级卡拉OK包房、慢摇吧
- 多功能厅、高级酒店会所
- 流动商演、乐队扩声

### CONFIGURATION



<b>FREQUENCY RESPONSE(-3dB)</b>	35 Hz-300Hz
<b>DRIVERS</b>	2× 18" (460mm)/4" voice coil Woofer
<b>RATED POWER</b>	1200W RMS, 4800W peak
<b>SENSITIVITY</b>	103dB/ 1watt/1 metre
<b>MAXIMUM SPL</b>	133 dB continuous, 139 dB peak
<b>IMPEDANCE</b>	4 ohms nominal
<b>INPUT CONNECTORS</b>	2× Speakon NL4
<b>PACKAGE SIZE</b>	1160mm× 880mm× 660mm
<b>NET WEIGHT</b>	84kg
<b>GROSS WEIGHT</b>	92kg

