

# QSseries

QS系列专业音箱

## QSseries QS10

Two-way Loudspeaker System



The QS10 is an all-purpose full-range loudspeaker designed for near-field contracting applications. Rated at 250 watts(RMS), fitted with one 10" Woofer and one 1" HF compression driver with a wide dispersion HF horn.

QS10是一款10寸两分音全音域音箱。采用一只10寸高效率低音单元，一只1寸喉口34芯钛膜高音驱动器配置(50-100)°×55°可旋转号角，箱体采用多层复合夹板，特殊喷涂制作。

### FEATURES

- Ultra-compact two way system
- multi-angle plywood enclosure
- User rotatable (50-100)° × 55° horn
- High power output
- Flexible mounting options

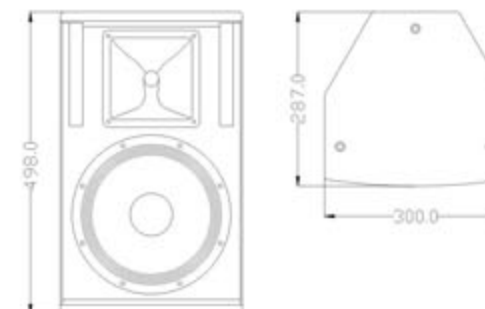
### 产品特点

- 高质量单元配置，高强度夹板箱体
- 体积小、重量轻便于搬运和固定安装
- 多吊挂点与支撑配合，操作简易快捷
- 超长品质保证期：品质与信心的保证

### 适用范围

- 用于全音域扩声、语言会议系统、高级卡拉OK包房
- 多功能厅、高级酒店会所
- 流动商演、乐队扩声以及小型舞台返送音箱

### CONFIGURATION



<b>FREQUENCY RESPONSE(-3dB)</b>	55 Hz-18kHz
<b>DRIVERS</b>	1×10" (250mm)/2.5" voice coil Woofer 1×1" (25mm)/1.4" voice coil driver
<b>RATED POWER</b>	250W RMS, 1000W peak
<b>SENSITIVITY</b>	95dB/ 1watt/1 metre
<b>MAXIMUM SPL</b>	119dB continuous, 125 dB peak
<b>IMPEDANCE</b>	8 ohms nominal
<b>DISPERSION(-6dB)</b>	(50-100)° × 55°
<b>CROSSOVER FREQUENCIES</b>	2.2kHz passive
<b>INPUT CONNECTORS</b>	2× Speakon NL4
<b>PACKAGE SIZE</b>	393mmx380mmx597mm
<b>NET WEIGHT</b>	13.5kg
<b>GROSS WEIGHT</b>	15kg



## QSseries QS12

### Two-way Loudspeaker System

The QS12 is the ideal general-purpose loudspeaker with a wide frequency response, suitable for all kinds of mid-field theatre and live venue applications that require professional sound quality.

QS12是一款12寸两分音全音域音箱。采用一只12寸高效率低音单元，一只1寸喉口44芯高分子聚酯膜高音驱动器配置(50-100)°×55°可旋转角，箱体采用多层复合夹板，特殊喷涂制作。

#### FEATURES

- Compact two-way passive system
- multi-angle plywood enclosure
- User rotatable (50-100)° × 55° horn
- Bottom fitting for tripod mounting

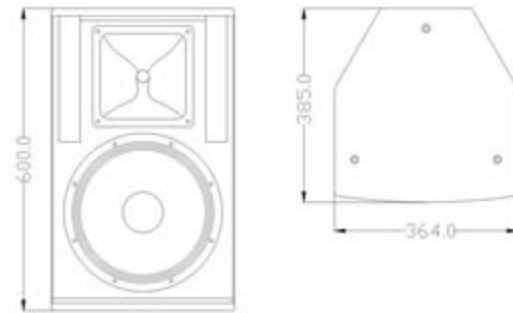
#### 产品特点

- 高质量单元配置，高强度夹板箱体
- 多吊挂点与支撑配合，操作简易快捷
- 超长品质保证期：品质与信心的保证

#### 适用范围

- 用于全音域扩声、高级卡拉OK包房、慢摇吧
- 多功能厅、高级酒店会所
- 流动商演、乐队扩声以及舞台返送音箱

#### CONFIGURATION



www.fdbaudio.com

<b>FREQUENCY RESPONSE(-3dB)</b>	50 Hz-18kHz
<b>DRIVERS</b>	1×12"(300mm)/3" voice coil Woofer 1×1"(25mm)/1.7" voice coil driver
<b>RATED POWER</b>	300W RMS, 1200W peak
<b>SENSITIVITY</b>	97dB/ 1watt/1 metre
<b>MAXIMUM SPL</b>	122dB continuous, 128 dB peak
<b>IMPEDANCE</b>	8 ohms nominal
<b>DISPERSION(-6dB)</b>	(50-100)° × 55°
<b>CROSSOVER FREQUENCIES</b>	2kHz passive
<b>INPUT CONNECTORS</b>	2× Speakon NL4
<b>PACKAGE SIZE</b>	500mmx480mmx720mm
<b>NET WEIGHT</b>	20kg
<b>GROSS WEIGHT</b>	24kg



## QSseries QS15

### Two-way Loudspeaker System

The larger cabinet QS15 delivers really solid low end performance from a trapezoidal cabinet, suitable for most mid-field applications. It can be used as a stand-alone full-range loudspeaker.

QS15是一款15寸两分音全音域音箱。采用一只15寸高效率低音单元，一只1寸喉口44芯高分子聚酯膜高音驱动器配置(50-100)°×55°可旋转角，箱体采用多层复合夹板，特殊喷涂制作。

#### FEATURES

- Wide-bandwidth system
- Multi-angle plywood enclosure
- User rotatable (50-100)° × 55° horn
- Bottom fitting for tripod mounting

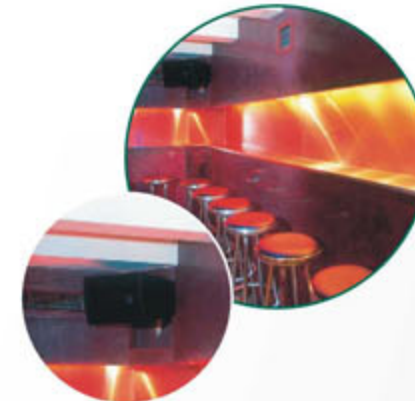
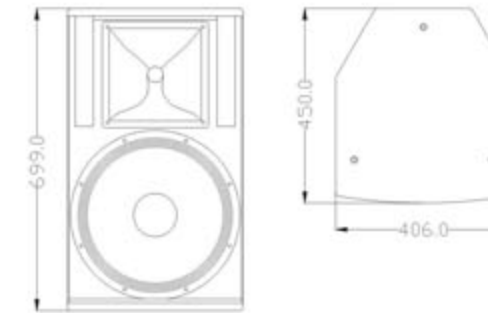
#### 产品特点

- 高质量单元配置，高强度夹板箱体
- 多吊挂点与支撑配合，操作简易快捷
- 超长品质保证期：品质与信心的保证

#### 适用范围

- 用于全音域扩声、高级卡拉OK包房、慢摇吧
- 多功能厅、高级酒店会所
- 流动商演、乐队扩声以及舞台返送音箱

#### CONFIGURATION



www.fdbaudio.com

<b>FREQUENCY RESPONSE(-3dB)</b>	40 Hz-18kHz
<b>DRIVERS</b>	1×15" (385mm)/3" voice coil Woofer 1×1" (25mm)/1.7" voice coil driver
<b>RATED POWER</b>	400W RMS, 1600W peak
<b>SENSITIVITY</b>	98dB/ 1watt/1 metre
<b>MAXIMUM SPL</b>	124dB continuous, 130 dB peak
<b>IMPEDANCE</b>	8 ohms nominal
<b>DISPERSION(-6dB)</b>	(50-100)° × 55°
<b>CROSSOVER FREQUENCIES</b>	2.2kHz passive
<b>INPUT CONNECTORS</b>	2× Speakon NL4
<b>PACKAGE SIZE</b>	565mmx520mmx820mm
<b>NET WEIGHT</b>	25kg
<b>GROSS WEIGHT</b>	28kg



## Qs series QS215

### Two-way Loudspeaker System

#### FEATURES

- Very high SPL from a full range passive enclosure
- Extended low frequency performance from dual 15" drivers
- Dedicated low distortion mid-bass driver
- User rotatable 90° x 50° horn
- 2" (50mm) exit titanium dome compression driver
- Multi-angle plywood construction

#### 产品特征

- 高质量单元配置，高强度夹板箱体
- 多吊挂点与支撑配合，操作简易快捷
- 超长品质保证期：品质与信心的保证

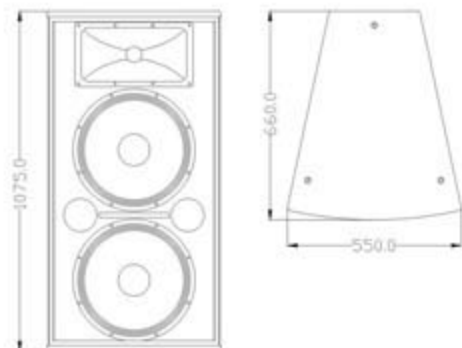
#### 适用范围

- 用于全音域扩声、小型室内外扩声
- 多功能厅、高级酒店会所

The larger cabinet QS215 delivers really solid low end performance from a trapezoidal cabinet, suitable for most mid-field applications. It can be used as a stand-alone full-range loudspeaker.

QS215是一款双15寸两分音全音域音箱。采用两只15寸高效率低音单元，一只2寸喉口75芯复合振膜高音驱动器配置专门设计的号角，箱体采用多层复合夹板，特殊喷涂制作。

#### CONFIGURATION



<b>FREQUENCY RESPONSE(-3dB)</b>	40 Hz-18kHz
<b>DRIVERS</b>	2× 15" (385mm)/3" voice coil Woofer 1× 2" (50mm) /3" voice coil driver
<b>RATED POWER</b>	800W RMS,3200W peak
<b>SENSITIVITY</b>	101dB/ 1watt/1 metre
<b>MAXIMUM SPL</b>	130dB continuous,136 dB peak
<b>IMPEDANCE</b>	4 ohms nominal
<b>DISPERSION(-6dB)</b>	90° × 50°
<b>CROSSOVER FREQUENCIES</b>	1.5 kHz passive
<b>INPUT CONNECTORS</b>	2× Speakon NL4
<b>PACKAGE SIZE</b>	752mmx646mmx1177mm
<b>NET WEIGHT</b>	59kg
<b>GROSS WEIGHT</b>	64kg