



CXseries CX5W

Two-way Loudspeaker System

The CX5 is a two-way structure plastic cabinet system, one 5" woofer and one 0.5" (13mm) dome tweeter

FEATURES

- Strong plastic cabinet
- Molded-in 90° x70° horn
- High power output
- Structure plastic cabinet, waterproof and sunscreening

产品特点

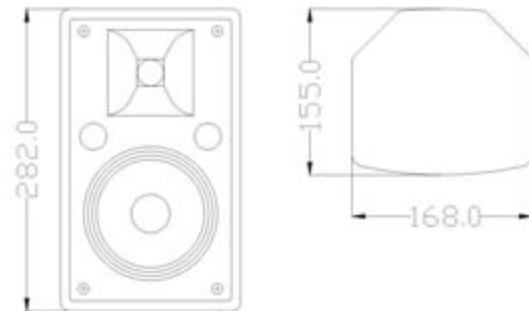
- 高质量单元配置, 工程塑胶箱体, 适合全天候使用
- 多吊挂点与支撑配合, 可以固定安装
- 超长品质保证期: 品质与信心的保证

适用范围

- 用于全音域扩声、语言扩声会议系统
- 语言重放高要求教室、背景音乐系统等

CX5是一款5寸两分音全音域工程塑胶音箱。采用一只5寸高效率低音单元, 一只13芯高分子聚酯膜球顶高音, 箱体采用工程塑胶注塑而成。

CONFIGURATION



CXseries CX6W

Two-way Loudspeaker System

The CX6 is a two-way structure plastic cabinet system, one 6.5" woofer and one 1" (25mm) dome tweeter

FEATURES

- Strong plastic cabinet
- Molded-in 90° x60° horn
- High power output
- Structure plastic cabinet, waterproof and sunscreening

产品特点

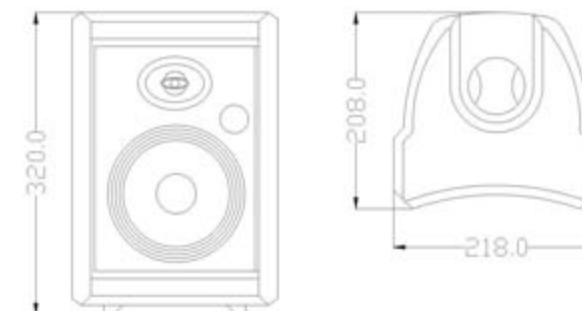
- 高质量单元配置, 工程塑胶箱体, 适合全天候使用
- 多吊挂点与支撑配合, 可以固定安装
- 超长品质保证期: 品质与信心的保证

适用范围

- 用于全音域扩声、语言扩声会议系统
- 语言重放高要求教室、背景音乐系统等

CX6是一款6.5寸两分音全音域工程塑胶音箱。采用一只6.5寸全天候低音单元, 一只25芯丝膜球顶高音, 箱体采用工程塑胶注塑而成。

CONFIGURATION



FREQUENCY RESPONSE(-3dB)	50Hz-18kHz
DRIVERS	1×6.5" (166mm)/1" voice coil Woofer 1×1" (25mm) dome tweeter
RATED POWER	60W RMS, 240W peak
SENSITIVITY	88dB/ 1watt/1 metre
MAXIMUM SPL	106 dB continuous, 112 dB peak
IMPEDANCE	8 ohms nominal
DISPERSION(-6dB)	90° × 60°
CROSSOVER FREQUENCIES	3 kHz passive
PACKAGE SIZE	500mmx270mmx380mm (1 pair)
NET WEIGHT	3.5 kg
GROSS WEIGHT	4.5kg

FREQUENCY RESPONSE(-3dB)	60Hz-18kHz
DRIVERS	1×5" (125mm)/1" voice coil Woofer 1×0.5" (13mm) dome tweeter
RATED POWER	30W RMS, 120W peak
SENSITIVITY	86dB/ 1watt/1 metre
MAXIMUM SPL	102 dB continuous, 108 dB peak
IMPEDANCE	8 ohms nominal
DISPERSION(-6dB)	90° × 70°
CROSSOVER FREQUENCIES	3 kHz passive
PACKAGE SIZE	392mmx242mmx392mm(1 pair)
NET WEIGHT	5kg
GROSS WEIGHT	6.5kg



CXseries CX8

Two-way Loudspeaker System

The CX8 is a two-way structure plastic cabinet system, one 8" woofer and a 1" (25mm) exit compression driver, perfect protection circuit waterproof and sunscreening mounted on a constant directivity 90° x60° horn.

CX8是一款8寸两分音全音域工程塑胶音箱。采用一只8寸高效率低音单元，一只1寸喉口25芯高分子聚酯膜高音驱动器，箱体采用工程塑胶注塑而成。

FEATURES

- Strong plastic cabinet
- Molded-in 90° x60° horn
- High power output
- Structure plastic cabinet, waterproof and suncreening

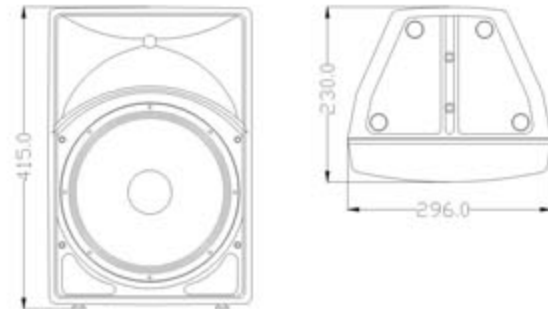
产品特点

- 高质量单元配置，工程塑胶箱体，适合全天候使用
- 多吊挂点与支撑配合，可以固定安装
- 超长品质保证期：品质与信心的保证

适用范围

- 用于全音域扩声、语言扩声会议系统
- 背景音乐重放、学校教室

CONFIGURATION



FREQUENCY RESPONSE(-3dB)	55Hz-18kHz
DRIVERS	1×8" (200mm)/1.5" voice coil Woofer 1×1" (25mm) /1" voice coil driver
RATED POWER	100W RMS,400W peak
SENSITIVITY	92dB/ 1watt/1 metre
MAXIMUM SPL	112 dB continuous,118 dB peak
IMPEDANCE	8 ohms nominal
DISPERSION(-6dB)	90° ×60°
CROSSOVER FREQUENCIES	2.8 kHz passive
INPUT CONNECTORS	2× Speakon NL4
PACKAGE SIZE	332mmx275mmx475mm
NET WEIGHT	6.5kg
GROSS WEIGHT	8kg

www.fdbaudio.com



CXseries CX10

Two-way Loudspeaker System

The CX10 is a two-way structure plastic cabinet system, one 10" woofer and one 1" (25mm) exit compression driver, perfect protection circuit waterproof and sunscreening mounted on a constant directivity 90° x60° horn.

CX10是一款10寸两分音全音域工程塑胶音箱。采用一只10寸高效率低音单元，一只1寸喉口25芯高分子聚酯膜高音驱动器，箱体采用工程塑胶注塑而成。

FEATURES

- Strong plastic cabinet
- Molded-in 90° x60° horn
- High power output
- Structure plastic cabinet, waterproof and sunscreening

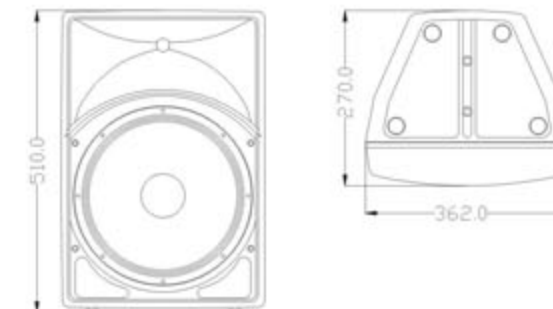
产品特点

- 高质量单元配置，工程塑胶箱体，适合全天候使用
- 多吊挂点与支撑配合，可以固定安装与流动使用
- 超长品质保证期：品质与信心的保证

适用范围

- 用于全音域扩声、语言会议系统
- 多功能厅、高级酒店会所、学校教室

CONFIGURATION



FREQUENCY RESPONSE(-3dB)	50Hz-18kHz
DRIVERS	1×10" (250mm)/2" voice coil Woofer 1×1" (25mm) /1" voice coil driver
RATED POWER	150W RMS,600W peak
SENSITIVITY	95dB/ 1watt/1 metre
MAXIMUM SPL	117 dB continuous,123 dB peak
IMPEDANCE	8 ohms nominal
DISPERSION(-6dB)	90° ×60°
CROSSOVER FREQUENCIES	2.5 kHz passive
INPUT CONNECTORS	2× Speakon NL4
PACKAGE SIZE	400mmx315mmx555mm
NET WEIGHT	10 kg
GROSS WEIGHT	13kg

www.fdbaudio.com



CX series CX12

Two-way Loudspeaker System

The CX12 is a two-way structure plastic cabinet system, one 12" woofer and one 1" (25mm) exit compression driver, perfect protection circuit waterproof and sunscreening mounted on a constant directivity 90° x60° horn.

CX12是一款12寸两分音全音域工程塑胶音箱。采用一只12寸高效率低音单元，一只1寸喉口25芯高分子聚酯膜高音驱动器，箱体采用工程塑胶注塑而成。

FEATURES

- Strong plastic cabinet
- Molded-in 90° x60° horn
- High power output
- Structure plastic cabinet, waterproof and sunscreening

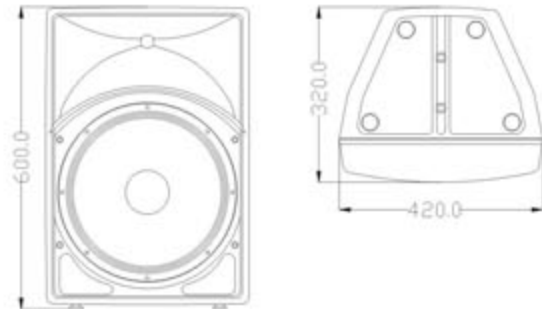
产品特点

- 高质量单元配置，工程塑胶箱体，适合全天候使用
- 多吊挂点与支撑配合，可以固定安装与流动使用
- 超长品质保证期：品质与信心的保证

适用范围

- 用于全音域扩声、语言扩声会议系统
- 小型室内外扩声、流动演出

CONFIGURATION



FREQUENCY RESPONSE(-3dB)	45Hz-20kHz
DRIVERS	1×12" (300mm)/2.5" voice coil Woofer 1×1" (25mm)/1" voice coil driver
RATED POWER	250W RMS, 1000W peak
SENSITIVITY	96dB/ 1watt/1 metre
MAXIMUM SPL	120 dB continuous, 126 dB peak
IMPEDANCE	8 ohms nominal
DISPERSION(-6dB)	90° × 60°
CROSSOVER FREQUENCIES	2.2kHz passive
INPUT CONNECTORS	2× Speakon NL4
PACKAGE SIZE	420mmx320mmx600mm
NET WEIGHT	18.6 kg
GROSS WEIGHT	22kg

www.fdbaudio.com



CX series CX15

Two-way Loudspeaker System

The CX15 is a two-way structure plastic cabinet system, one 15" woofer and one 1" (25mm) exit compression driver, perfect protection circuit waterproof and sunscreening mounted on a constant directivity 90° x60° horn.

CX15是一款15寸两分音全音域工程塑胶音箱。采用一只15寸高效率低音单元，一只1寸喉口25芯高分子聚酯膜高音驱动器，箱体采用工程塑胶注塑而成。

FEATURES

- Strong plastic cabinet
- Molded-in 90° x60° horn
- High power output
- Structure plastic cabinet, waterproof and sunscreening

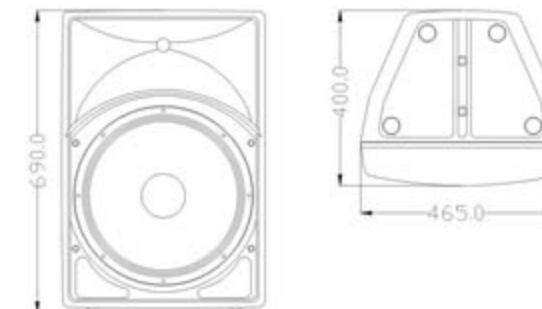
产品特点

- 高质量单元配置，工程塑胶箱体，适合全天候使用
- 多吊挂点与支撑配合，可以固定安装与流动使用
- 超长品质保证期：品质与信心的保证

适用范围

- 用于全音域扩声、语言会议系统
- 多功能厅
- 小型流动商演、乐队扩声

CONFIGURATION



FREQUENCY RESPONSE(-3dB)	40Hz-20kHz
DRIVERS	1×15" (380mm)/2.5" voice coil Woofer 1×1" (25mm)/1" voice coil driver
RATED POWER	250W RMS, 1000W peak
SENSITIVITY	97dB/ 1watt/1 metre
MAXIMUM SPL	121dB continuous, 127 dB peak
IMPEDANCE	8 ohms nominal
DISPERSION(-6dB)	90° × 60°
CROSSOVER FREQUENCIES	2.2kHz passive
INPUT CONNECTORS	2× Speakon NL4
PACKAGE SIZE	523mmx475mmx760mm
NET WEIGHT	24.4 kg
GROSS WEIGHT	29kg

www.fdbaudio.com