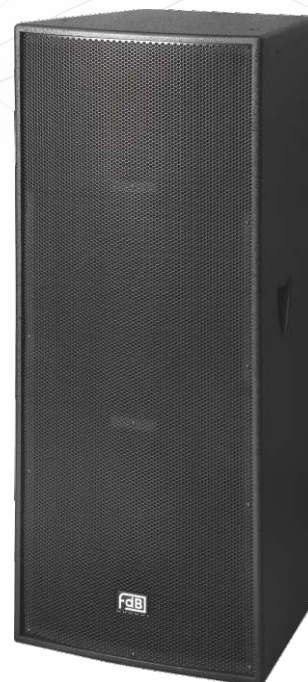


# FT series FT215II

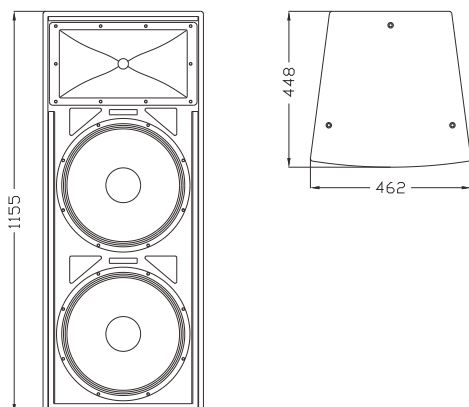
## Two-way Loudspeaker System

The FT215 II is a dual 15" two-way full range speaker. Unit configuration: 2x15" high efficiency mid-bass unit, 1x1" exit throat 44mm polyester diaphragm HF driver with special designed horn. The cabinet is made of MDF with water-based environmental protection paint.

FT215 II 是一款双15"两分音全音域音箱。单元配置：2只15"高效率低音单元，1只1"喉口44芯高分子聚酯膜高音驱动器配置专门设计的号角。箱体采用高密度复合板，水性环保喷涂制作。



### CONFIGURATION



### FEATURES

- High quality MDF housing
- Multi-hanging points
- Applications: full range reinforcement, speech and conference halls, multifunction halls, classrooms, small outdoor reinforcement

### 产品特点

- 高强度复合板箱体
- 多吊挂点

### 适用范围

- 用于全音域扩声、语言会议系统
- 多功能厅、学校教室
- 小型室外扩声

MODEL  
 FREQUENCY RESPONSE(-3dB)  
 FREQUENCY RESPONSE(-10dB)  
 DRIVERS

RATED POWER  
 SENSITIVITY  
 MAXIMUM SPL  
 IMPEDANCE  
 DISPERSION(-6dB)  
 CROSSOVER FREQUENCIES  
 INPUT CONNECTORS  
 PACKAGE SIZE  
 NET WEIGHT  
 GROSS WEIGHT

FT215 II  
 40Hz-20kHz  
 35Hz-20kHz  
 2×15"(385mm)/3" voice coil LF  
 1×1"(25mm)/ 1.7"voice coil HF  
 700W RMS,2800W peak  
 100dB 1watt/1 metre  
 128 dB continuous,134 dB peak  
 4 ohms nominal  
 100°×50°  
 2.2 kHz passive  
 2×Speakon NL4  
 565mm×555mm×1270mm  
 41 kg/pc  
 47 kg/pc