

U series U110VI

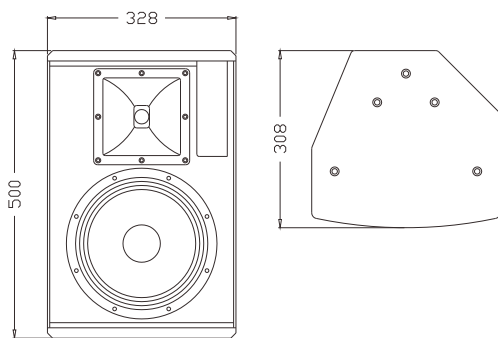
Two-way Loudspeaker System

The U110VI is a 10" two way full range speaker with clear and bright sound. Unit configuration: 1x10" high efficiency mid-bass unit, 1x1" exit throat 44mm polyimide diaphragm HF driver with 90°×50° rotatable horn. The cabinet is made of multilayer composite plywood with wear-resistant polyurea paint.

U110VI是一款10"两分音全频音箱，具音质清晰、明亮等特点。单元配置：1只10"高效率中低音单元，1只1"喉口44芯高分子聚酯膜高音驱动器配置90°×50°可旋转号角。箱体采用多层复合夹板，耐磨聚脲喷涂。



CONFIGURATION



FEATURES

- High quality unit configuration, high strength plywood housing
- Multi-hanging points and support, easy and quick operation
- Applications: large-scale indoor sound reinforcement, multifunction halls, high-end hotel clubs, touring, band reinforcement and monitor speaker

产品特征

- 高质量单元配置，高强度夹板箱体
- 多吊挂点与支撑配合，操作简易快捷

适用范围

- 大型室内扩声补声
- 多功能厅、高级酒店会所
- 流动商演、乐队扩声以及舞台返送音箱



MODEL
FREQUENCY RESPONSE(-3dB)
FREQUENCY RESPONSE(-10dB)
DRIVERS

RATED POWER
SENSITIVITY
MAXIMUM SPL
IMPEDANCE
DISPERSION(-6dB)
CROSSOVER FREQUENCIES
INPUT CONNECTORS
PACKAGE SIZE
NET WEIGHT
GROSS WEIGHT

U110VI
 55 Hz-18kHz
 50 Hz-20kHz
 1×10"(250mm)/2.5"voice coil LF
 1×1"(25mm)/1.7"voice coil HF
 250W RMS,1000W peak
 95dB 1watt/1 metre
 119dB continuous,125 dB peak
 8 ohms nominal
 90°×50°
 2kHz passive
 2× Speakon NL4
 400mm×390mm×595mm
 15 kg/pc
 18 kg/pc