

# S series S115B

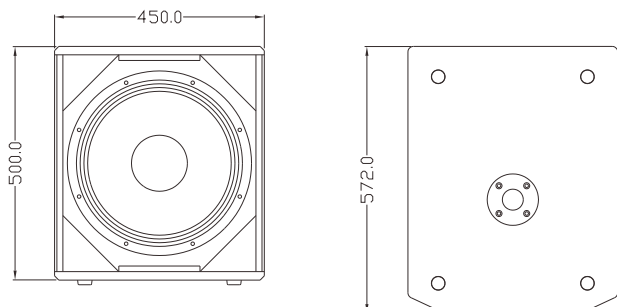
## Sub-woofer System

**S115B is a single 15" subwoofer.** It uses 1x15" 100mm voice coil woofer, bass-reflex design. The wood box adopts multilayer composite plywood with special environmental protection paint.

S115B 是一款单15"超低音箱。采用一只15" 100芯低音单元，倒相式箱体设计，箱体采用多层复合夹板，水性环保喷涂制作。



### CONFIGURATION



### FEATURES

- High quality plywood with special environmental protection paint
- Bass-reflex design
- High temperature resistant 4" (100mm) voice coil
- Top hat fitting for pole mounting
- Used for sub-bass reinforcement

### 产品特点

- 高品质单元配置，高声压级输出
- 直射倒相式结构箱体设计

### 适用范围

- 配合全频音箱使用，用以提升低频表现
- 会议室、多功能厅
- 酒店娱乐、流动演出



<b>MODEL</b>	<b>S115B</b>
<b>FREQUENCY RESPONSE(-3dB)</b>	<b>40Hz-300Hz</b>
<b>DRIVERS</b>	<b>1×15"(385mm)/4"voice coil LF</b>
<b>RATED POWER</b>	<b>600W RMS,2400W peak</b>
<b>SENSITIVITY</b>	<b>99dB 1watt/1meter</b>
<b>MAXIMUM SPL</b>	<b>127dB continuous,133dB peak</b>
<b>IMPEDANCE</b>	<b>8 ohms nominal</b>
<b>INPUT CONNECTORS</b>	<b>2×Speakon NL4</b>
<b>PACKAGE SIZE</b>	<b>670mm×550mm×605mm</b>
<b>NET WEIGHT</b>	<b>31 kg/pc</b>
<b>GROSS WEIGHT</b>	<b>34 kg/pc</b>