



pro audio



series S112

Two-way Loudspeaker System

S112 is a 12" 2-way full range speaker. It uses 1x12" high efficiency mid-bass unit, 1x1" exit throat 44mm voice coil HF driver with 90°x50° rotatable horn. The wood box adopts multilayer composite plywood with special environmental protection paint.

S112是一款12"两分音全频音箱。采用一只12"高效率中低音单元，一只1"喉口44芯高分子聚酯膜高音驱动器配置90° × 50° 可旋转号角，箱体采用多层复合夹板，水性环保喷涂制作。

FEATURES

- High quality plywood with special environmental protection paint
- Compact 2-way design
- Rotatable horn
- Flexible mounting options
- Top hat fitting for tripod
- Used for conference rooms, multipurpose halls, classrooms, hotels, clubs, and moving performance

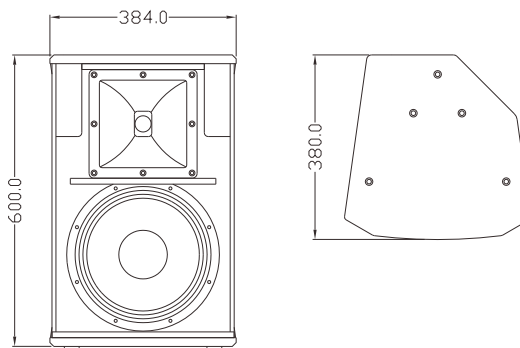
产品特点

- 高品质单元配置，高声压级输出
- 可旋转号角，多种安装方式

适用范围

- 会议室、多功能厅，教室
- 酒店娱乐、流动演出

CONFIGURATION



MODEL

FREQUENCY RESPONSE(-3dB)
FREQUENCY RESPONSE(-10dB)
DRIVERS

RATED POWER
SENSITIVITY
MAXIMUM SPL
IMPEDANCE
DISPERSION(-6dB)
CROSSOVER FREQUENCIES
INPUT CONNECTORS
PACKAGE SIZE
NET WEIGHT
GROSS WEIGHT

S112

55Hz-18KHz
 50Hz-20KHz
 1×12"(300mm)/3"voice coil LF
 1×1"(25mm)/1.7"voice coil HF
 300W RMS,1200W peak
 97dB 1watt/1meter
 122dB continuous,128dB peak
 8 ohms nominal
 90°×50°
 1.7kHz passive
 2× Speakon NL4
 464mm×460mm×700mm
 20 kg/pc
 24 kg/pc

