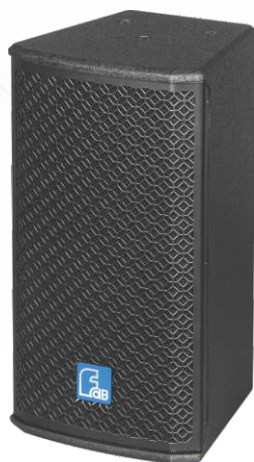




pro audio



series S206 Two-way Loudspeaker System

S206 is a dual 6.5" 2-way full range speaker. It uses 1x6.5" high efficiency mid-bass unit, 1x6.5"high efficiency MF and HF coaxial unit. The wood box adopts multilayer composite plywood with special environmental protection paint.

S206是一款6.5"两分音全频音箱，采用1只6.5"高效率中低音单元和1只6.5"高效率中高音同轴单元，箱体采用多层复合夹板，水性环保喷涂制作。

FEATURES

- High quality plywood with special environmental protection paint
- MF and HF coaxial unit design
- Flexible mounting options
- Used for background music, conference rooms, multipurpose halls and classrooms

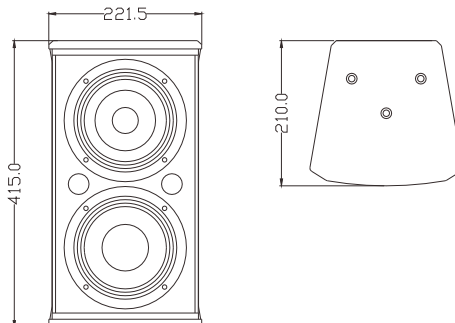
产品特征

- 小体积、大功率，高声压级输出
- 中高音同轴设计、多种安装方式

适用范围

- 会议室、多功能厅，教室

CONFIGURATION



MODEL

FREQUENCY RESPONSE(-3dB)

FREQUENCY RESPONSE(-10dB)

DRIVERS

RATED POWER

SENSITIVITY

MAXIMUM SPL

IMPEDANCE

DISPERSION(-6dB)

CROSSOVER FREQUENCIES

INPUT CONNECTORS

PACKAGE SIZE

NET WEIGHT

GROSS WEIGHT

S206

90 Hz-18kHz

85Hz-20KHz

2×6.5"(165mm)/2"voice coil LF

1×1"(25mm)/1.4"voice coil HF

240W RMS,960W peak

93dB 1watt/1meter

116dB continuous,122dB peak

4 ohms nominal

90°×50°

300Hz, 2.5kHz passive

Covered barrier strip terminals

520mm×292mm×495mm(pair/carton)

9 kg/pc

11 kg/pc