

ES series ES106

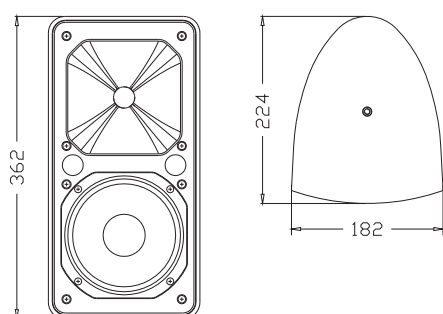
Two-way Loudspeaker System



The **ES106** is a highly weather-resistant, single 6" 2-way full range outdoor loudspeaker, the body is made of engineering plastic injection molding, fitted with one 6" mid-woofer and one 1" HF driver. The system conforms to IP65 international standard. ES106T is equipped with multi-tap transformer based on ES106.

ES106是一款6"两分音系列音箱。箱体设计优先考虑全天候使用环境，采用工程塑胶注塑而成，一只6寸中低音单元和一只25芯高音驱动器。带T的产品配置多种输出功率选择功能的定压音箱。产品符合IP65国际标准。

CONFIGURATION



FEATURES

- Highly weather-resistant IP65 rating
- Engineering plastic injection molding
- Two kinds of mounting brackets
- Good used for meeting rooms, shops, water parks, outdoor background music, swimming pools, and a wide variety of other outdoor or indoor background music

产品特点

- 采用工程塑胶注塑而成

适用范围

- 用会议室多功能厅
- 主题公园、景区扩声

MODEL

FREQUENCY RESPONSE(-3dB)

FREQUENCY RESPONSE(-10dB)

DRIVERS

INPUT VOLTAGE

RATED POWER

SENSITIVITY

MAXIMUM SPL

IMPEDANCE

DISPERSION(-6dB)

CROSSOVER FREQUENCIES

INPUT CONNECTORS

PACKAGE SIZE

NET WEIGHT

GROSS WEIGHT

ES106B/ES106W

60Hz-18kHz

55Hz-20kHz

1×6"(150mm)/1.5"voice coil LF

1×1"(25mm)/1"voice coil HF

80W RMS,320W peak

89dB 1watt/1 metre

108dB continuous,114dB peak

16 ohms nominal

90°×60°

2.4kHz passive

covered barrier strip terminals

528mm×222mm×407mm(1 pair)

5 kg/pc

15 kg/pair

ES106BT/ES106WT

60Hz-18kHz

55Hz-20kHz

1×6"(150mm)/1.5"voice coil LF

1×1"(25mm)/1"voice coil HF

100V

20W/40W/80W/OFF/16Ω

89dB 1watt/1 metre

108dB continuous,114dB peak

16 ohms nominal

90°×60°

2.4kHz passive

covered barrier strip terminals

528mm×222mm×407mm(1 pair)

6 kg/pc

16 kg/pair