

U series U106V

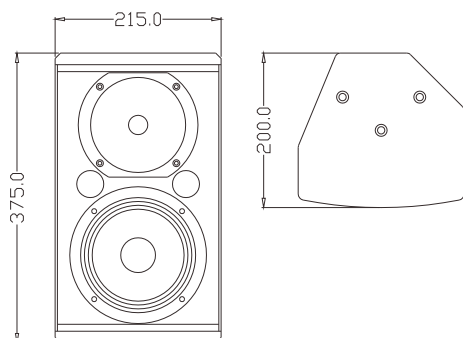
Two-way Loudspeaker System



The U106V is an all-purpose full-range loudspeaker designed for near-field contracting applications. Rated at 120 watts(RMS), fitted with one 6.5" woofer and one 1" exit compression driver coupled to a wide dispersion HF horn.

U106V是一款6.5"两分音全音域音箱，采用一只6.5"高效率中低音单元，一只1"喉口25芯高分子聚酯膜高音驱动器配置120°恒指向性号角，箱体采用多层复合夹板，水性环保喷涂制作。

CONFIGURATION



FEATURES

- High quality plywood with special environmental protection paint
- Ultra-compact two way system
- Constant dispersion 120° horn
- Flexible mounting options

产品特点

- 高质量单元配置，高强度夹板箱体
- 体积小、大声压
- 超长品质保证期：品质与信心的保证

适用范围

- 用于全音域扩声、语言扩声会议系统
- 背景音乐，酒吧舞厅等



MODEL
FREQUENCY RESPONSE(-3dB)
FREQUENCY RESPONSE(-10dB)
DRIVERS

RATED POWER
SENSITIVITY
MAXIMUM SPL
IMPEDANCE
DISPERSION(-6dB)
CROSSOVER FREQUENCIES
INPUT CONNECTORS
PACKAGE SIZE
NET WEIGHT
GROSS WEIGHT

U106V
 80 Hz-18kHz
 75 Hz-20kHz
 1×6.5"(165mm)/2"voice coil LF
 1×1"(25mm)/1"voice coil HF
 120W RMS,480W peak
 90dB 1watt/1 metre
 111dB continuous,117dB peak
 8 ohms nominal
 120°
 3.2kHz passive
 2×Speakon NL4
 510mm×285mm×450mm(carton/pair)
 6 kg/pc
 15 kg/pair