

K118B K series K118BAS

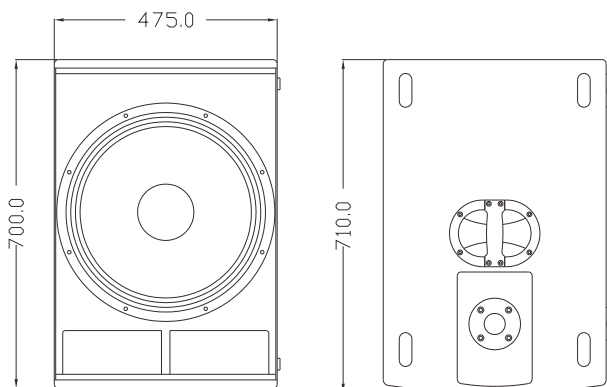
Sub-woofer System

K118B is a single 18" subwoofer, using 4" voice coil woofer, made of high quality plywood with polyurea waterproof paint. K118BAS is equipped with SA2.68 digital amplifier module to be an active system with full range and sub outputs based on K118B.

K118B是一款单18"超低音箱，采用一只18" 100芯高效率超低音单元，倒相式箱体设计，箱体采用多层复合夹板，聚脲喷涂。K118BAS是在K118B的基础上配置SA2.68功放组件，形成有源系统，具有全频和超低音输出功能。



CONFIGURATION



FEATURES

- High quality plywood with polyurea waterproof paint
- Bass reflex design
- High temperature 4"(100mm) voice coil
- Top hat fitting for pole mounting to K series
- To match K606/K806

产品特点

- 高质量单元配置，多层复合夹板箱体聚脲喷涂
- 多种安装方式，操作简易快捷
- 开关电源数字功放，内置DSP信号处理
- 具有超低音及全频输出功能
- 超长品质保证期：品质与信心的保证

适用范围

- 流动商演、教堂、会议室、多功能厅
- 配合K606/K806使用，提升低频表现

MODEL

FREQUENCY RESPONSE(-3dB)

DRIVERS

RATED POWER

SENSITIVITY

MAXIMUM SPL

IMPEDANCE

INPUT CONNECTORS

PACKAGE SIZE

NET WEIGHT

GROSS WEIGHT

K118B

35Hz-300Hz

1×18"(460mm)/4"voice coil LF

600W RMS,2400W peak

99dB 1watt/1meter

127dB continuous,133dB peak

8 ohms nominal

2×Speakon NL4

802mm×567mm×789mm

42 kg/pc

47 kg/pc

K118BAS

35Hz-300Hz and 50Hz-20kHz

1×18"(460mm)/4"voice coil LF

900W/4Ω+1200W/4Ω

--

127dB continuous,133dB peak

--

INPUT TYPE: Balanced Differential line

802mm×567mm×789mm

44 kg/pc

49 kg/pc