

NX510 NX series NX510A

Line Array System

NX510 is a compact loudspeaker system using medium and low frequency horn and high frequency linear coupling technology, which can obtain relatively high SPL by using small volume and weight, and can be combined with more than one, can be used with stand and can be hung, which is more convenient and fast to install. NX510 is fitted with two 10" neodymium LF drivers and three 1" neodymium HF drivers coupled to a patent horn, made of high quality plywood with polyurea waterproof paint. NX510A is equipped with FA2.68 digital amplifier module based on NX510 to be an active loudspeaker.

NX510是一款采用中低频号角负载技术与中高频线性技术相结合的紧凑型线性扬声器系统。中低频采用两只10寸钕磁75芯扬声器号角负载，中高频采用三只1寸喉口44芯驱动器加线性导号角，结构上采用对称设计，中高频组件既能把中低频分成两个完全相同的对称声源，同时又对中低频进行相位修正，以减小失真。中低频与中高频的磁路部分非同腔室的设计，使得工作产生的热量分散，而不会因为温升过快而产生功率压缩，同时中低频工作时产生的气流对中高频组件起到通风散热功效。箱体采用多层夹板，聚脲喷涂制作，NX510A是在NX510的基础上配置FA2.68功放组件成为有源音箱。



FEATURES

- High quality plywood with polyurea waterproof paint
- Application of coupling technology
- Coaxial design
- Small size, high SPL
- Support pole mounting, can be hung, more convenient to install
- Used for moving performance, clubs, multi-purpose hall, theatre and stadiums

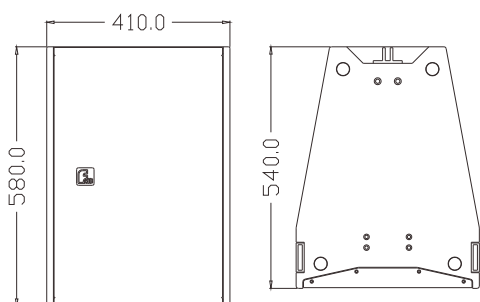
系统特征

- 最大不失真声压级与体积、重量比值高
- 可单只使用，也可两只组合使用，相互间不产生干涉
- 系统可堆码、支撑、吊挂使用灵活
- 线性吊挂设计，安装方便快捷
- 体积小、重量轻，方便运输

适用范围

- 剧院、厅堂
- 流动演出
- 体育场馆
- 迪厅等大型娱乐场所

CONFIGURATION



MODEL

FREQUENCY RESPONSE(-3dB)

DRIVERS

RATED POWER

SENSITIVITY

MAXIMUM SPL

IMPEDANCE

DISPERSION(-6dB)

CROSSOVER FREQUENCIES

INPUT CONNECTORS

PACKAGE SIZE

NET WEIGHT

GROSS WEIGHT

NX510

LF: 70Hz-2.5kHz

HF: 1kHz-18kHz

2×10"(250mm)/3" voice coil LF

3×1"(25mm)/1.7" voice coil HF

LF: 600W RMS,2400W peak

HF: 180W RMS,720W peak

LF:106dB 1watt/1meter

HF:111dB 1watt/1meter

LF:134dB continuous,140dB peak

HF:134dB continuous,140dB peak

LF: 8 ohms nominal

HF: 6 ohms nominal

90° × 30°

1.5KHz passive

2×Speakon NL4

650mm×520mm×695mm

35kg/pc

39kg/pc

NX510A

70Hz-18kHz

--

2×10"(250mm)/3" voice coil LF

3×1"(25mm)/1.7" voice coil HF

600W/8Ω+800W/8Ω

--

--

--

134dB continuous,140dB peak

--

--

--

90° × 30°

--

INPUT TYPE: Balanced Differential line

650mm×520mm×695mm

38kg/pc

42kg/pc