

LTseries **LT212** **LT212T**

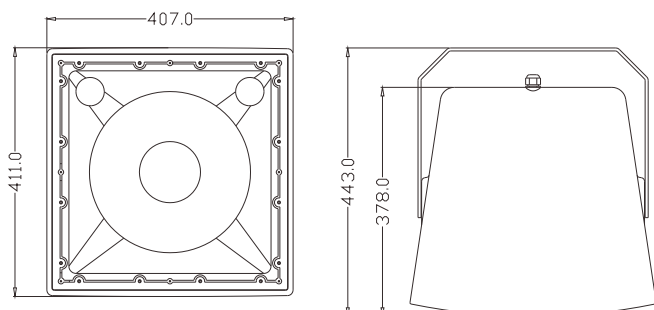
Two-way Loudspeaker System



The **LT212** is a compact, 12" coaxial-driver, 2-way, highly weather-resistant full range loudspeaker with high SPL, the body is made of engineering plastic injection molding. The system conforms to IP56 international standard. **LT212T** is equipped with multi-tap transformer based on **LT212**.

LT212是一款12寸同轴两分音全天候音箱，箱体设计优先考虑全天候使用环境和高声压输出，采用12"中低音与高音驱动器同轴喇叭，中低音与高音全部采用号角负载设计，箱体采用工程塑胶注塑而成。**LT212T**是在**LT208**的基础上配置多种电压选择功能的定压音箱。产品符合IP56国际标准。

CONFIGURATION



FEATURES

- Highly weather-resistant IP56 rating
- Engineering plastic injection molding
- High SPL
- Horn loaded design for coaxial components
- Good used for sports facilities, stadiums, water parks, outdoor background music, swimming pools and a wide variety of other outdoor venue types.

产品特点

- 高质量单元配置，工程塑胶箱体
- 号角负载设计，高音压级输出
- 单元隐藏式安装，适应全天候使用
- 超长品质保证期：品质与信心的保证

适用范围

- 用于中远程语言扩声
- 广场、主题公园、景区扩声

MODEL

FREQUENCY RESPONSE(-3dB)

FREQUENCY RESPONSE(-10dB)

DRIVERS

INPUT VOLTAGE

RATED POWER

SENSITIVITY

MAXIMUM SPL

IMPEDANCE

DISPERSION(-6dB)

CROSSOVER FREQUENCIES

INPUT CONNECTORS

PACKAGE SIZE

NET WEIGHT

GROSS WEIGHT

LT212

55Hz-18kHz

50Hz-20kHz

1×12"(300mm)/3"voice coil LF

1×1"(25mm)/1.7"voice coil HF

300W RMS,1200W peak

98dB 1watt/1 metre

122dB continuous,128dB peak

8 ohms nominal

80°×80°

2.2kHz passive

covered barrier strip terminals

518mm×495mm×505mm

18 kg/pc

20 kg/pc

LT212T

55Hz-18kHz

50Hz-20kHz

1×12"(300mm)/3"voice coil LF

1×1"(25mm)/1.7"voice coil HF

100V

50W/100W/200W/OFF/8Ω 300W

98dB 1watt/1 metre

122dB continuous,128dB peak

8 ohms nominal

80°×80°

2.2kHz passive

covered barrier strip terminals

518mm×495mm×505mm

20 kg/pc

22 kg/pc