

LHseries LH15H

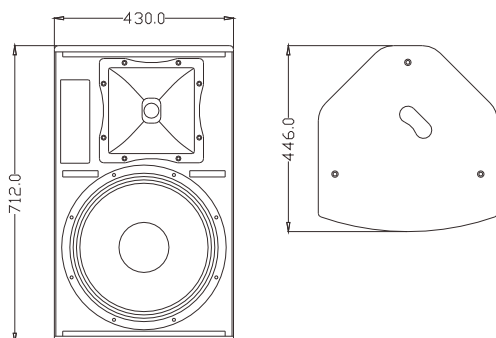
Two-way Loudspeaker System



The **LH15H** is the ideal general-purpose 2-way loudspeaker with a wide frequency response, suitable for all kinds of mid-field theatre and live venue applications that require professional sound quality, fitted with one 15" neodymium woofer and one 1.4" exit neodymium compression driver coupled to a rotatable horn.

LH15H是一款15"两分音全音域音箱，采用一只15"强磁高效率低音单元，一只1.4"喉口75芯强磁复合钛膜高音驱动器配置90°×40°可旋转号角，箱体采用多层复合夹板，特殊环保喷涂制作。

CONFIGURATION



FEATURES

- High quality plywood with special environmental protection paint
- Rotatable 90°×40° horn
- Flexible mounting options
- Top hat fitting for tripod
- Light weight, convenient to move and fix installation
- Used for moving performance, multi-purpose hall, conference room, hotel, KTV and band

产品特征

- 高质量单元配置，高强度夹板箱体
- 重量轻便于搬运和固定安装
- 多吊挂点与支撑配合，操作简易快捷
- 超长品质保证期：品质与信心的保证

适用范围

- 用于全音域扩声、高级卡拉OK包房、慢摇吧
- 多功能厅、高级酒店会所
- 流动商演、乐队扩声以及舞台返送音箱



FREQUENCY RESPONSE(-3dB)	45 Hz-18kHz
FREQUENCY RESPONSE(-10dB)	40 Hz-20kHz
DRIVERS	1×15"(385mm)/4"voice coil LF 1×1.4"(36mm)/3"voice coil HF
RATED POWER	600W RMS,2400W peak
SENSITIVITY	98dB 1watt/1 metre
MAXIMUM SPL	125dB continuous,131 dB peak
IMPEDANCE	8 ohms nominal
DISPERSION(-6dB)	90°×40°
CROSSOVER FREQUENCIES	1.5kHz passive
INPUT CONNECTORS	2× Speakon NL4
PACKAGE SIZE	540mm×525mm×812mm
NET WEIGHT	26 kg/pc
GROSS WEIGHT	29 kg/pc