



# LHseries LH15

## Two-way Loudspeaker System

### FEATURES

- High quality plywood with special environmental protection paint
- Rotatable  $90^{\circ} \times 40^{\circ}$  horn
- Flexible mounting options
- Top hat fitting for tripod
- Light weight, convenient to move and fix installation
- Used for moving performance, multi-purpose hall, conference room, hotel, KTV and band

### 产品特点

- 高质量单元配置，高强度夹板箱体
- 重量轻便于搬运和固定安装
- 多吊挂点与支撑配合，操作简易快捷
- 超长品质保证期：品质与信心的保证

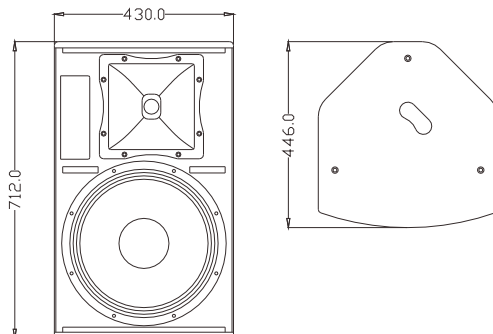
### 适用范围

- 用于全音域扩声、高级卡拉OK包房、慢摇吧
- 多功能厅、高级酒店会所
- 流动商演、乐队扩声以及舞台返送音箱

The LH15 is the ideal general-purpose 2-way loudspeaker with a wide frequency response, suitable for all kinds of mid-field theatre and live venue applications that require professional sound quality, fitted with one 15" neodymium woofer and one 1.4" exit neodymium compression driver coupled to a rotatable horn.

LH15是一款15"两分音全音域音箱，采用一只15"强磁高效率低音单元，一只1.4"喉口75芯强磁复合钛膜高音驱动器配置 $90^{\circ} \times 40^{\circ}$ 可旋转号角，箱体采用多层复合夹板，特殊环保喷涂制作。

### CONFIGURATION



<b>FREQUENCY RESPONSE(-3dB)</b>	45 Hz-18kHz
<b>FREQUENCY RESPONSE(-10dB)</b>	40 Hz-20kHz
<b>DRIVERS</b>	1×15"(385mm)/3"voice coil LF 1×1.4"(36mm)/3"voice coil HF
<b>RATED POWER</b>	400W RMS,1600W peak
<b>SENSITIVITY</b>	98dB 1watt/1 metre
<b>MAXIMUM SPL</b>	124dB continuous,130 dB peak
<b>IMPEDANCE</b>	8 ohms nominal
<b>DISPERSION(-6dB)</b>	$90^{\circ} \times 40^{\circ}$
<b>CROSSOVER FREQUENCIES</b>	1.5kHz passive
<b>INPUT CONNECTORS</b>	2× Speakon NL4
<b>PACKAGE SIZE</b>	540mm×525mm×812mm
<b>NET WEIGHT</b>	23 kg/pc
<b>GROSS WEIGHT</b>	26 kg/pc