



K312

Kseries K312DA

Two-way Loudspeaker System

The **K312** is a dual 12" middle-long throw speaker system with big power and high SPL, fitted with two 12" neodymium woofer and one 1.4" exit neodymium compression driver. All components are designed with horn-loaded and the box body is made of high quality plywood with polyurea waterproof paint. The K312DA is equipped with FA2.38 digital amplifier module to be an active loudspeaker based on K312.

K312是一款双12"大功率，高声压，中远程演出音箱。采用两只12"强磁高效率低音单元，一只1.4"喉口75芯强磁复合振膜高音驱动器，中低音与高音全部采用号角负载设计，箱体采用多层复合夹板，聚脲喷涂。K312DA是在K312的基础上配置FA2.38功放组件成为有源音箱。

FEATURES

- High quality plywood with polyurea waterproof paint
- Horn-loaded design with high SPL
- Multi-angle hanging points
- Good used for moving performance and theatre.



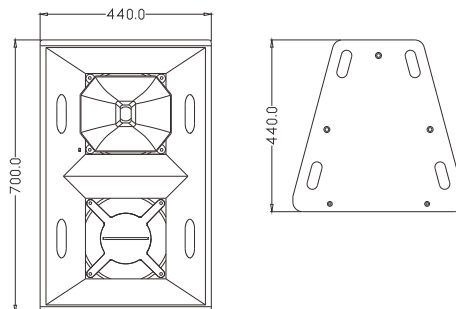
产品特点

- 高质量单元配置，高强度夹板箱体
- 号角负载设计，高声压输出
- 多吊挂点，操作简易快捷
- 超长品质保证期：品质与信心的保证

适用范围

- 用于中远程扩声
- 流动演出、剧院

CONFIGURATION



MODEL

FREQUENCY RESPONSE(-3dB)
FREQUENCY RESPONSE(-10dB)
DRIVERS

RATED POWER

SENSITIVITY
MAXIMUM SPL
IMPEDANCE
DISPERSION(-6dB)
CROSSOVER FREQUENCIES

INPUT CONNECTORS
PACKAGE SIZE
NET WEIGHT
GROSS WEIGHT

K312

65Hz-18kHz
60Hz-20kHz
2x12"(300mm)/3"voice coil LF
1x1.4"(36mm)/3"voice coil HF
600W(RMS),2400W peak
103dB 1watt/1meter
130dB continuous,136dB peak
4 ohms nominal
60°x40°
1.3kHz passive
2xSpeakon NL4
530mmx530mmx795mm
32 kg/pc
37 kg/pc

K312DA

65Hz-18kHz
60Hz-20kHz
2x12"(300mm)/3"voice coil LF
1x1.4"(36mm)/3"voice coil HF
300W+1200W(RMS)
--
130dB continuous,136dB peak
--
60°x40°
--
INPUT TYPE:Balanced Differential line
530mmx530mmx795mm
35 kg/pc
40 kg/pc