



PS series Engineering Plastic Speaker
Two-Way Loudspeaker System



PS series is a group of well optimized design of the latest generation, strong polypropylene material box of professional speakers, with the characteristics of full functions, light weight, high SPL, clear, bright and balanced sound quality, exquisite appearance and so on. All adopt high quality unit configuration, the box molded by injection mold.

PS系列是一组精心优化设计的最新一代，强力聚丙烯材料箱体的专业音箱，具有功能齐全，轻便，输出声压级高，音质清新、明亮、均衡，外观精致等特点。全部采用高品质单元配置，箱体采用模具射出成型。

FEATURES

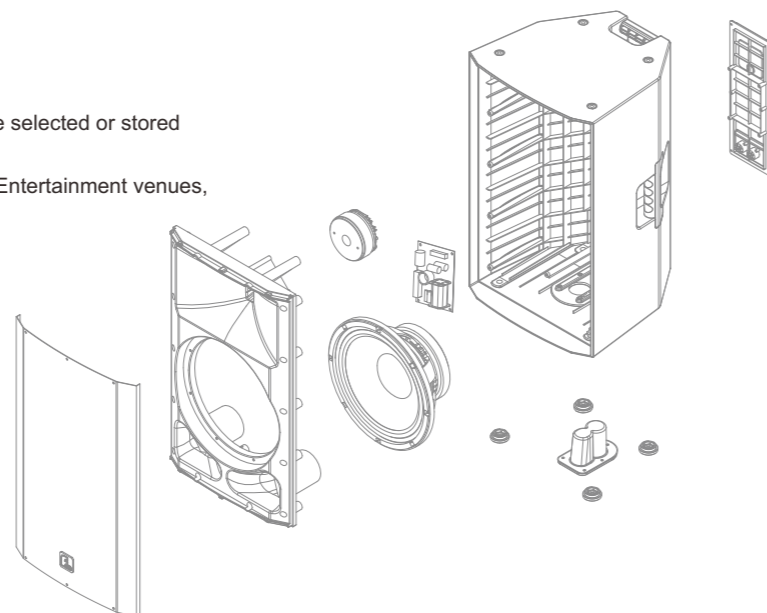
- Strong polypropylene box, injection molding
- High quality unit configuration
- Digital amplifier with DSP, multiple preset modes can be selected or stored
- Multiple hanging points and support, easy to use
- **Applications:** Conference rooms, multi-function halls, Entertainment venues, Mobile Performances

产品特点

- 强力聚丙烯材料箱体，射出模具成型
- 高品质单元配置
- D类功放+DSP，多种预设模式可选或存储调用
- 多吊挂点与支撑配合，使用简单快捷

适用范围

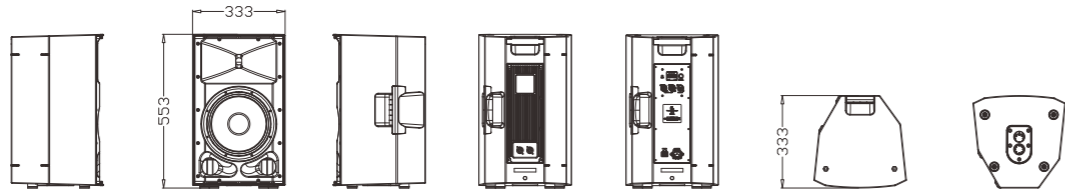
- 会议室、多功能厅
- 娱乐场所
- 流动演出



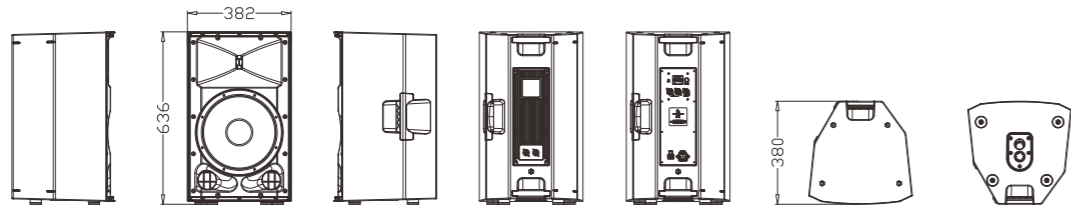
MODEL	PS10	PS10A	PS12	PS12A	PS15	PS15A
FREQUENCY RESPONSE(-10dB)	65Hz-18kHz	65Hz-18kHz	60Hz-18kHz	60Hz-18kHz	55Hz-18kHz	55Hz-18kHz
LF DRIVER	1×10"	1×10"	1×12"	1×12"	1×15"	1×15"
	2" voice coil	2.5" voice coil	2.5" voice coil	2.5" voice coil	2.5" voice coil	2.5" voice coil
HF DRIVER	1×1"	1×1"(25mm)	1×1"	1×1"(25mm)	1×1"	1×1"
	1" voice coil	1.4" voice coil	1.4" voice coil	1.4" voice coil	1.4" voice coil	1.4" voice coil
RATED POWER	200W RMS	300W/8Ω	250W RMS	400W/8Ω	300W RMS	400W/8Ω
	800W peak	+100W/8Ω	1000W peak	+100W/8Ω	1200W peak	+100W/8Ω
SENSITIVITY	96dB 1watt/1 metre	--	97dB 1watt/1 metre	--	98dB 1watt/1 metre	--
MAXIMUM SPL	119 dB continuous	119 dB continuous	120 dB continuous	120 dB continuous	122dB continuous	122dB continuous
	125dB peak	125dB peak	126dB peak	126dB peak	128dB peak	128dB peak
IMPEDANCE	8 ohms	--	8 ohms	--	8 ohms	--
DISPERSION(-6dB)	90°×60°	90°×60°	90°×60°	90°×60°	90°×60°	90°×60°
CROSSOVER FREQUENCIES	2.5 kHz passive	--	1.8kHz passive	--	2.2kHz passive	--
INPUT CONNECTORS	2×Speakon NL4	Balanced Differential line	2×Speakon NL4	Balanced Differential line	2×Speakon NL4	Balanced Differential line
PACKAGE SIZE	385×385×600mm	385×385×600mm	450×450×685mm	450×450×685mm	545×530×771mm	545×530×771mm
NET WEIGHT	10 kg /pc	12 kg /pc	18 kg/pc	20 kg/pc	26 kg/pc	28 kg/pc
GROSS WEIGHT	12 kg/pc	14 kg/pc	21 kg/pc	23 kg/pc	30 kg/pc	32 kg/pc

FS Configuration

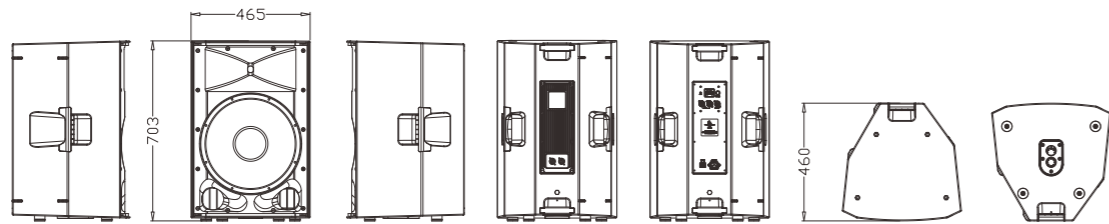
PS10/PS10A



PS12/PS12A



PS15/PS15A



FS Amplifier Module



PS10A



PS12A



PS15A