



# FT series

FT系列专业音箱  
PROFESSIONAL SPEAKER

pro audio



pro audio

## FTseries Professional Speaker

Two-way Loudspeaker System



FT series is a a group of regular professional speaker with the characteristics of clear and bright full-range sound, rich and elastic bass, all use high quality units. The cabinet is made of MDF with wear-resistant polyurea paint.

FT系列是一组常规专业音箱，全频声音清新明亮、超低丰满且有弹性等特点。采用高品质单元配置，箱体采用高密度板，耐磨聚脲喷涂。

### FEATURES

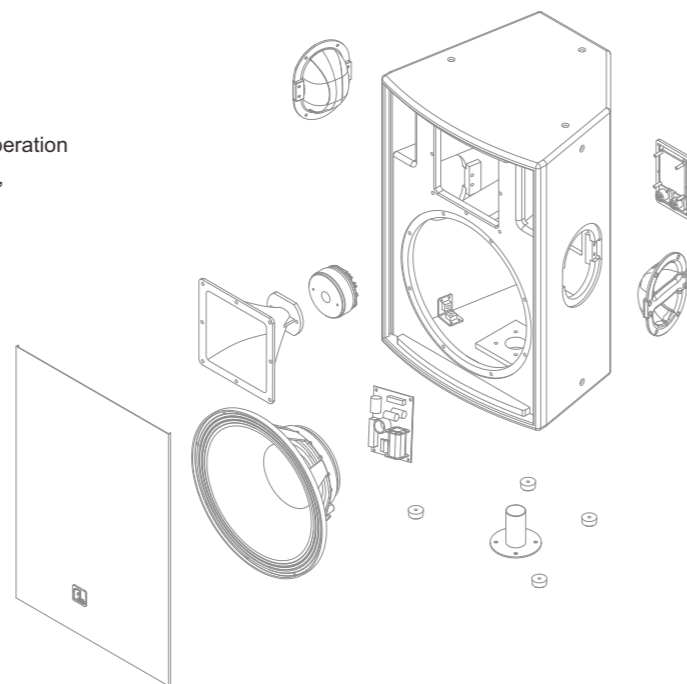
- High quality units
- MDF board
- Multi-hanging points and support, easy and quick operation
- Applications: conference rooms, multi-purpose halls, various entertainment venues, mobile performances

### 产品特点

- 高质量单元配置
- 高密度板聚脲喷漆箱体
- 多吊挂点与支撑配合，操作简易快捷

### 适用范围

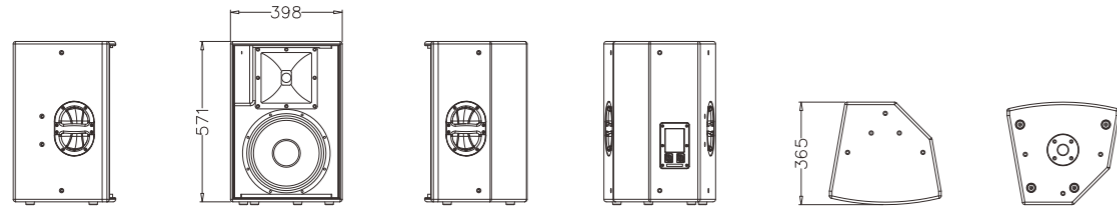
- 会议室、多功能厅
- 各种娱乐场所
- 流动演出



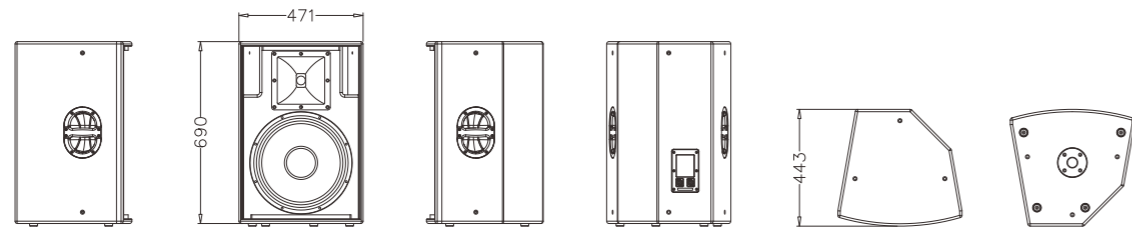
MODEL	FT122	FT152	FT2152	FT118S
FREQUENCY RESPONSE(-3dB)	45Hz-20kHz	40Hz-20kHz	40Hz-20kHz	--
FREQUENCY RESPONSE(-10dB)	40Hz-20kHz	35Hz-20kHz	35Hz-20kHz	35Hz-200Hz
LF DRIVER	1×12"/2.5" voice coil	1×15"/2.5" voice coil	2×15"/3" voice coil	1×18"/3" voice coil
HF DRIVER	1×1"/1.4" voice coil	1×1"/1.4" voice coil	1×1"/1.7" voice coil	--
RATED POWER	250W RMS,1000W peak	300W RMS,1200W peak	800W RMS,3200W peak	400W RMS,1600W peak
SENSITIVITY	96dB 1watt/1 metre	97dB 1watt/1 metre	100dB 1watt/1 metre	99dB 1watt/1 metre
MAXIMUM SPL	120dB continuous,126dB peak	122dB continuous,128dB peak	129dB continuous,135dB peak	125dB continuous,131dB peak
IMPEDANCE	8 ohms	8 ohms	4 ohms	8 ohms
DISPERSION(-6dB)	80°×50°	80°×50°	70°×40°	--
CROSSOVER FREQUENCIES	2.2 kHz passive	2kHz passive	2.2 kHz passive	--
INPUT CONNECTORS	2×Speakon NL4	2×Speakon NL4	2×Speakon NL4	2×Speakon NL4
PACKAGE SIZE	490×455×665 mm	565×545×795 mm	695×604×1245 mm	655×615×715 mm
NET WEIGHT	18 kg/pc	26 kg/pc	52 kg/pc	34 kg/pc
GROSS WEIGHT	21 kg/pc	29 kg/pc	59 kg/pc	39 kg/pc

**FT Configuration**

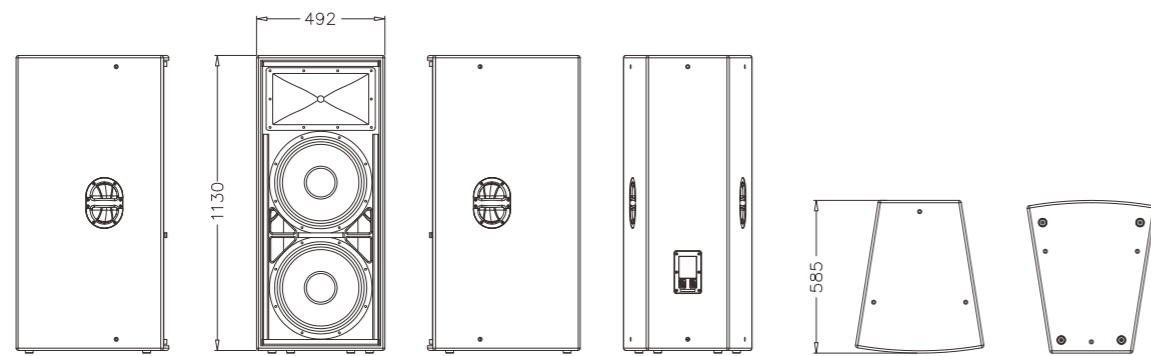
**FT122**



**FT152**



**FT2152**



**FT118S**

