

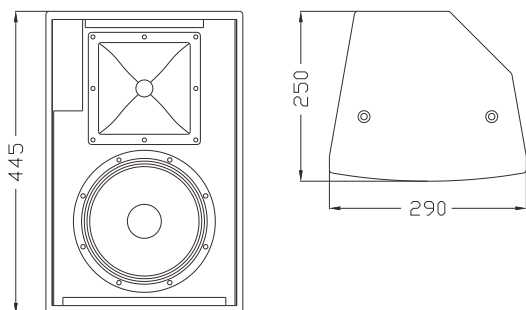
FT series FT8 II

Two-way Loudspeaker System

The FT8 II is a 8" two-way full range speaker. Unit configuration: 1x8" high efficiency mid-bass unit, 1x1" exit throat 25mm mylar diaphragm HF driver with 90°×50° rotatable horn. The cabinet is made of MDF with water-based environmental protection paint.

FT8 II 是一款8"两分音全音域音箱。单元配置：1只8"高效率中低音单元，1只1"喉口25芯高分子聚酯膜高音驱动器配置90°×50°可旋转号角。箱体采用高密度复合板，水性环保喷涂制作。

CONFIGURATION



FEATURES

- High quality MDF housing
- Small size, light weight, easy handling and fixed installation
- Multi-hanging points and support, easy and quick operation
- Applications: full range reinforcement, speech and conference halls, background music, classrooms

产品特点

- 高强度复合板箱体
- 高强度复合板箱体
- 体积小、重量轻便于搬运和固定安装
- 多吊挂点与支撑配合，操作简易快捷

适用范围

- 用于全音域扩声、语言扩声会议系统
- 背景音乐重放、学校教室



MODEL
FREQUENCY RESPONSE(-3dB)
FREQUENCY RESPONSE(-10dB)
DRIVERS

RATED POWER
SENSITIVITY
MAXIMUM SPL
IMPEDANCE
DISPERSION(-6dB)
CROSSOVER FREQUENCIES
INPUT CONNECTORS
PACKAGE SIZE
NET WEIGHT
GROSS WEIGHT

FT8 II
55Hz-18kHz
50Hz-20kHz
1×8"(200mm)/1.5"voice coil LF
1×1"(25mm)/ 1"voice coil HF
100W RMS,400W peak
92dB 1watt/1 metre
112 dB continuous,118 dB peak
8 ohms nominal
90°×50°
2.5 kHz passive
2×Speakon NL4
615mm×380mm×535mm(carton/pair)
9 kg/pc
21 kg/pair