



pro audio



# S series S112 Two-way Loudspeaker System

The S112 is a 12" two way full range speaker with clear, soft and powerful sound. Unit configuration: 1x12" high efficiency mid-bass unit, 1x1" exit throat 44mm polyester diaphragm HF driver with 90°×50° rotatable horn. The cabinet is made of multilayer composite plywood with wear-resistant polyurea paint.

S112是一款12"两分音全频音箱，具有音质清晰、柔和有力度等特点。单元配置：1只12"高效率中低音单元，1只1"喉口44芯聚酯膜高音驱动器配上90°×50°可旋转号角。箱体采用多层复合夹板，耐磨聚脲喷涂。

## FEATURES

- High quality unit configuration, high SPL
- Rotatable horn, multi-ways for installation
- Applications: conference rooms, multifunction halls, classrooms, hotel entertainment, touring

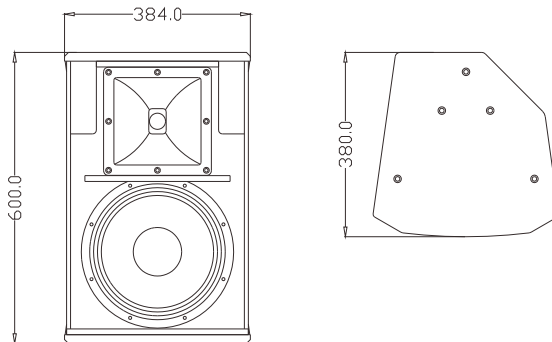
## 产品特征

- 高品质单元配置，高声压级输出
- 可旋转号角，多种安装方式

## 适用范围

- 会议室、多功能厅，教室
- 酒店娱乐、流动演出

## CONFIGURATION



### MODEL

FREQUENCY RESPONSE(-3dB)

FREQUENCY RESPONSE(-10dB)

DRIVERS

RATED POWER

SENSITIVITY

MAXIMUM SPL

IMPEDANCE

DISPERSION(-6dB)

CROSSOVER FREQUENCIES

INPUT CONNECTORS

PACKAGE SIZE

NET WEIGHT

GROSS WEIGHT

### S112

55Hz-18KHz

50Hz-20KHz

1×12"(300mm)/3"voice coil LF

1×1"(25mm)/1.7"voice coil HF

300W RMS,1200W peak

97dB 1watt/1meter

122dB continuous,128dB peak

8 ohms nominal

90°×50°

1.7kHz passive

2× Speakon NL4

464mm×460mm×700mm

20 kg/pc

24 kg/pc

