

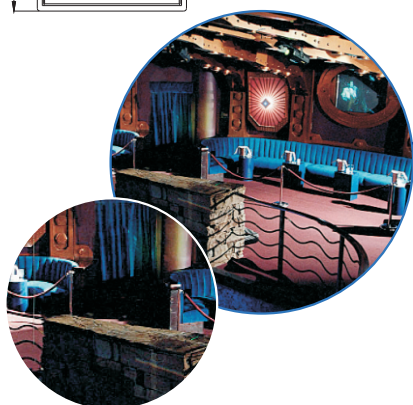
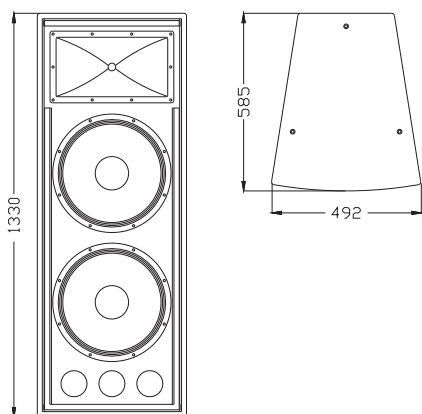
FT series FT2153G

Two-way Loudspeaker System

The **FT2153G** is a 2-way system with two 15" (385mm) woofer and one 1" (25mm) exit compression driver mounted on a special $95^{\circ} \times 50^{\circ}$ horn.

FT2153G 是一款双15"两分音全音域音箱。采用两只15"高效率低音单元，一只1"喉口44芯高分子聚酯膜高音驱动器配置专门设计的号角，箱体采用高密度复合板，水性环保喷涂制作。

CONFIGURATION



FEATURES

- High quality MDF with special environmental protection paint
- Very high SPL from a full range passive enclosure
- $95^{\circ} \times 50^{\circ}$ plastic horn
- Mid-high frequency's sensitivity can be adjusted

产品特点

- 中高音灵敏度可调
- 优化单元配置，高强度复合板箱体，性价比极高
- 多吊挂点，操作简易快捷
- 超长品质保证期：品质与信心的保证

适用范围

- 用于全音域扩声、语言会议系统
- 多功能厅、高级酒店会所
- 小型室外扩声

MODEL
 FREQUENCY RESPONSE(-3dB)
 FREQUENCY RESPONSE(-10dB)
 DRIVERS

RATED POWER
 SENSITIVITY
 MAXIMUM SPL
 IMPEDANCE
 DISPERSION(-6dB)
 CROSSOVER FREQUENCIES
 INPUT CONNECTORS
 PACKAGE SIZE
 NET WEIGHT
 GROSS WEIGHT

FT2153G
 45Hz-20kHz
 35Hz-20kHz
 2×15"(385mm)/3" voice coil LF
 1×1"(25mm)/ 1.7"voice coil HF
 800W RMS,3200W peak
 100dB 1watt/1 metre
 129 dB continuous,135 dB peak
 4 ohms nominal
 $95^{\circ} \times 50^{\circ}$
 2.2 kHz passive
 2×Speakon NL4
 705mm×615mm×1460mm
 57 kg/pc
 69 kg/pc