

# series S115

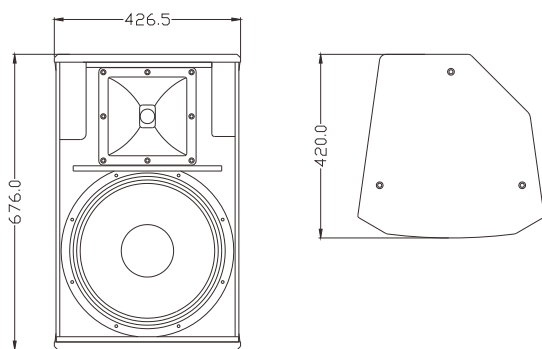
## Two-way Loudspeaker System



**S115 is a 15" 2-way full range speaker.** It uses 1x15" high efficiency mid-bass unit, 1x1" exit throat 44mm voice coil HF driver with 80°×50° rotatable horn. The wood box adopts multilayer composite plywood with special environmental protection paint.

S115是一款15"两分音全频音箱。采用一只15"高效率低音单元，一只1"喉口44芯高分子聚酯膜高音驱动器配置80° × 50° 可旋转号角，箱体采用多层复合夹板，水性环保喷涂制作。

### CONFIGURATION



### FEATURES

- High quality plywood with special environmental protection paint
- Compact 2-way design
- Rotatable horn
- Flexible mounting options
- Top hat fitting for tripod
- Used for conference rooms, multipurpose halls, classrooms, hotels, clubs, and moving performance

### 产品特点

- 高品质单元配置，高声压级输出
- 可旋转号角，多种安装方式 证

### 适用范围

- 会议室、多功能厅，教室
- 酒店娱乐、流动演出

**MODEL**  
**FREQUENCY RESPONSE(-3dB)**  
**FREQUENCY RESPONSE(-10dB)**  
**DRIVERS**

**RATED POWER**  
**SENSITIVITY**  
**MAXIMUM SPL**  
**IMPEDANCE**  
**DISPERSION(-6dB)**  
**CROSSOVER FREQUENCIES**  
**INPUT CONNECTORS**  
**PACKAGE SIZE**  
**NET WEIGHT**  
**GROSS WEIGHT**

**S115**  
**55Hz-18KHz**  
**50Hz-20KHz**  
**1×15"(385mm)/3"voice coil LF**  
**1×1"(25mm)/1.7"voice coil HF**  
**400W RMS,1200W peak**  
**98dB 1watt/1meter**  
**124dB continuous,130dB peak**  
**8 ohms nominal**  
**80°×50°**  
**1.6kHz passive**  
**2×Speakon NL4**  
**507mm×500mm×776mm**  
**24 kg/pc**  
**29 kg/pc**