



pro audio



# series S2154 Three-way Loudspeaker System

**S2154 is a dual 15" 3-way full range speaker.** It uses 2x15" high efficiency woofer, 1x8" high efficiency mid unit, 1x1" exit throat 44mm voice coil HF driver, coaxial horn design. The wood box adopts multilayer composite plywood with special environmental protection paint.

S2154是一款双15"三分音全频音箱。采用2只15"高效率低音单元，1只8寸高效率中音与1"喉口44芯高音驱动器同轴号角设计，箱体采用多层复合夹板，水性环保喷涂制作。

## FEATURES

- High quality plywood with special environmental protection paint
- 3-way design
- 8" high efficiency MF driver
- Coaxial horn design
- Used for multi-purpose halls, conference rooms and moving performance

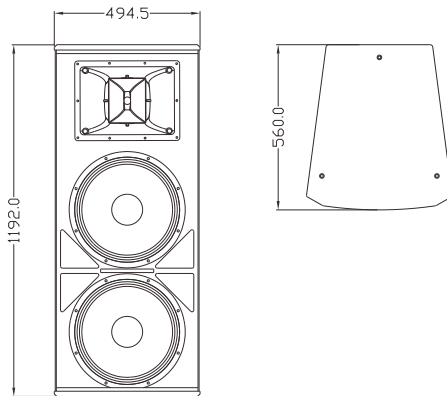
## 产品特征

- 中高音同轴设计，高声压级输出
- 真正的三分频

## 适用范围

- 小型流动商演、会议室、多功能厅

## CONFIGURATION



## MODEL

FREQUENCY RESPONSE(-3dB)

FREQUENCY RESPONSE(-10dB)

## DRIVERS

## RATED POWER

## SENSITIVITY

## MAXIMUM SPL

## IMPEDANCE

## DISPERSION(-6dB)

## CROSSOVER FREQUENCIES

## INPUT CONNECTORS

## PACKAGE SIZE

## NET WEIGHT

## GROSS WEIGHT

## S2154

50Hz-18KHz

45Hz-20KHz

2× 15"(385mm)/3"voice coil LF

1× 8"(200mm)/2"voice coil MD

1× 1"(25mm)/1.7"voice coil HF

800W RMS,3200W peak

99dB 1watt/1meter

128dB continuous,134dB peak

4 ohms nominal

80°×40°

800Hz/2kHz passive

2× Speakon NL4

507mm×500mm×776mm

51 kg/pc

58 kg/pc

