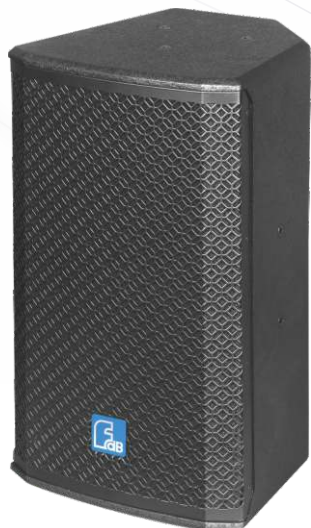




pro audio



# series S208 Two-way Loudspeaker System

**S208 is a dual 8" 2-way full range speaker.** It uses 1x.8" high efficiency mid-bass unit, 1x8" high efficiency MF and HF coaxial unit. The wood box adopts multilayer composite plywood with special environmental protection paint.

S208是一款8"两分音全频音箱，采用1只8"高效率中低音单元及一只8"中高音同轴单元，箱体采用多层复合夹板，水性环保喷涂制作。

## FEATURES

- High quality plywood with special environmental protection paint
- MF and HF coaxial unit design
- Flexible mounting options
- Top hat fitting for tripod
- Used for conference rooms, multipurpose halls, classrooms and small moving performance

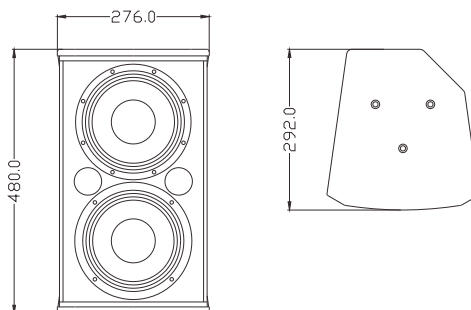
## 产品特征

- 小体积、大功率，高声压级输出
- 中高音同轴设计、多种安装方式

## 适用范围

- 会议室、多功能厅，教室
- 小型演出

## CONFIGURATION



### MODEL

FREQUENCY RESPONSE(-3dB)

FREQUENCY RESPONSE(-10dB)

DRIVERS

RATED POWER

SENSITIVITY

MAXIMUM SPL

IMPEDANCE

DISPERSION(-6dB)

CROSSOVER FREQUENCIES

INPUT CONNECTORS

PACKAGE SIZE

NET WEIGHT

GROSS WEIGHT

### S208

80 Hz-18kHz

75Hz-20KHz

2×8"(200mm)/2"voice coil LF

1×1"(25mm)/1.4"voice coil HF

300W RMS,1200W peak

96dB 1watt/1meter

120dB continuous,126dB peak

4 ohms nominal

90°×50°

300Hz, 3kHz passive

Covered barrier strip terminals

344mm×340mm×560mm

14 kg/pc

16 kg/pc

