

# U series U110V

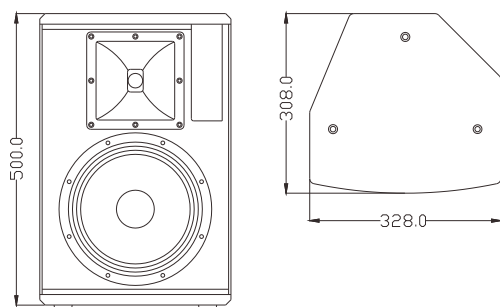
## Two-way Loudspeaker System



The U110 II is an all-purpose full-range loudspeaker designed for near-field contracting applications. Rated at 250 watts(RMS), fitted with one 10" woofer and one 1" exit compression driver coupled to a wide dispersion HF horn.

U110 II 是一款10"两分音全音域音箱。采用一只10"高效率中低音单元，一只1"喉口44芯高分子聚酯膜高音驱动器配置90°×50°可旋转号角，箱体采用多层复合夹板，水性环保喷涂制作。

### CONFIGURATION



### FEATURES

- High quality plywood with special environmental protection paint
- Ultra-compact two way system
- Rotatable 90°×50° horn
- Mid-high frequency's sensitivity can be adjusted
- High power output
- Flexible mounting options
- Top hat fitting for tripod

### 产品特点

- 中高音灵敏度可调
- 高质量单元配置，高强度夹板箱体
- 体积小、大声压
- 多吊挂点与支撑配合，操作简易快捷
- 超长品质保证期：品质与信心的保证

### 适用范围

- 用于全音域扩声、会议系统
- 多功能厅、高级酒店会所
- 流动商演、乐队扩声以及舞台返送音箱



MODEL	U110V
FREQUENCY RESPONSE(-3dB)	55 Hz-18kHz
DRIVERS	1×10"(250mm)/2.5"voice coil LF 1×1"(25mm)/1.7"voice coil HF
RATED POWER	250W RMS,1000W peak
SENSITIVITY	95dB 1watt/1 metre
MAXIMUM SPL	119dB continuous,125 dB peak
IMPEDANCE	8 ohms nominal
DISPERSION(-6dB)	90°×50°
CROSSOVER FREQUENCIES	2kHz passive
INPUT CONNECTORS	2×Speakon NL4
PACKAGE SIZE	400mm×390mm×595mm
NET WEIGHT	15 kg/pc
GROSS WEIGHT	18 kg/pc