

U series U112VH

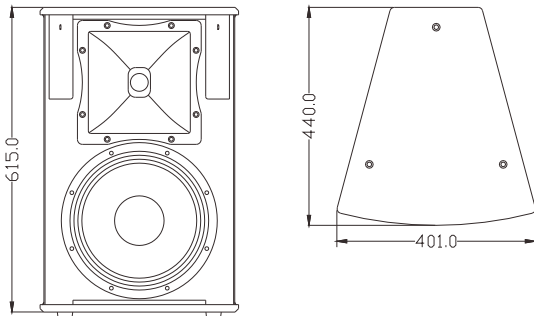
Two-way Loudspeaker System

The U112VH is the ideal general-purpose loudspeaker with a wide frequency response, suitable for all kinds of mid-field theatre and live venue applications that require professional sound quality.

U112VH是一款12"两分音全音域音箱，采用一只12"高效率中低音单元，一只1.4"喉口75芯复合振膜高音驱动器配置90° × 40° 可旋转号角，箱体采用多层复合夹板，水性环保喷涂制作。



CONFIGURATION



FEATURES

- High quality plywood with special environmental protection paint
- Compact two-way passive system
- Mid-high frequency's sensitivity can be adjusted
- Rotatable 90° x 40° horn
- Flexible mounting options
- Top hat fitting for tripod

产品特征

- 高质量单元配置，高强度夹板箱体
- 重量轻便于搬运和固定安装
- 多吊挂点与支撑配合，操作简易快捷
- 超长品质保证期：品质与信心的保证

适用范围

- 用于全音域扩声
- 多功能厅、高级酒店会所
- 流动商演、固定安装



MODEL
FREQUENCY RESPONSE(-3dB)
FREQUENCY RESPONSE(-10dB)
DRIVERS

RATED POWER
SENSITIVITY
MAXIMUM SPL
IMPEDANCE
DISPERSION(-6dB)
CROSSOVER FREQUENCIES
INPUT CONNECTORS
PACKAGE SIZE
NET WEIGHT
GROSS WEIGHT

U112VH
 50 Hz-18kHz
 45 Hz-20kHz
 1×12"(300mm)/3"voice coil LF
 1×1.4"(36mm)/3"voice coil HF
 450W RMS,1800W peak
 97dB 1watt/1 metre
 124dB continuous,130 dB peak
 8 ohms nominal
 90°×40°
 1.5kHz passive
 2×Speakon NL4
 530mm×495mm×710mm
 25 kg/pc
 29 kg/pc