



# LTseries **LT215L** **LT215LT**

## Two-way Loudspeaker System

The **LT215L** is a compact, 15" LF driver and 1.4" exit HF driver, 2-way, highly weather-resistant line array loudspeaker with high SPL, the body is made of engineering plastic injection molding. The system conforms to IP56 international standard. **LT215LT** is equipped with multi-tap transformer based on **LT215L**.

**LT215L**是一款15寸两分音全天候线性阵列音箱，箱体产设计优先考虑全天候使用环境和高声压输出，采用一只15"中低音单元，一只声透镜号角配置一只1.4"喉口75芯钛膜高音驱动器，中低音与高音全部采用号角负载设计，箱体采用工程塑胶注塑而成。**LT215LT**是在**LT215L**的基础上配置多种输出功率选择功能的定压音箱。产品满足IP56国际标准。

### FEATURES

- Highly weather-resistant IP56 rating
- Engineering plastic injection molding
- High SPL
- Horn loaded design for HF driver and LF driver
- Good used for sports facilities, stadiums, water parks, and a wide variety of other outdoor venue types.

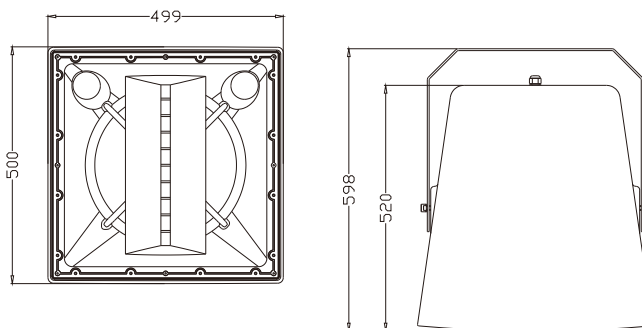
### 产品特征

- 高质量单元配置，工程塑胶箱体
- 号角负载设计，高音压级输出
- 单元隐藏式安装，适应全天候使用
- 超长品质保证期：品质与信心的保证

### 适用范围

- 用于中远程语言扩声
- 广场、主题公园、景区扩声

### CONFIGURATION



#### MODEL

**FREQUENCY RESPONSE(-3dB)**

**FREQUENCY RESPONSE(-10dB)**

**DRIVERS**

**INPUT VOLTAGE**

**RATED POWER**

**SENSITIVITY**

**MAXIMUM SPL**

**IMPEDANCE**

**DISPERSION(-6dB)**

**CROSSOVER FREQUENCIES**

**INPUT CONNECTORS**

**PACKAGE SIZE**

**NET WEIGHT**

**GROSS WEIGHT**

#### LT215L

50Hz-18kHz

45Hz-20kHz

1×15"(385mm)/3"voice coil LF

1×1.4"(36mm)/3"voice coil HF

400W RMS,1600W peak

103dB 1watt/1 metre

129dB continuous,135dB peak

8 ohms nominal

60°×25°

1.5kHz passive

covered barrier strip terminals

610mm×545mm×595mm

29 kg/pc

32 kg/pc

#### LT215LT

50Hz-18kHz

45Hz-20kHz

1×15"(385mm)/3"voice coil LF

1×1.4"(36mm)/3"voice coil HF

100V

75W/150W/300W/OFF/8Ω 400W

103dB 1watt/1 metre

129dB continuous,135dB peak

8 ohms nominal

60°×25°

1.5kHz passive

covered barrier strip terminals

610mm×545mm×595mm

31.5 kg/pc

34.5 kg/pc