

U series U215V U215DA

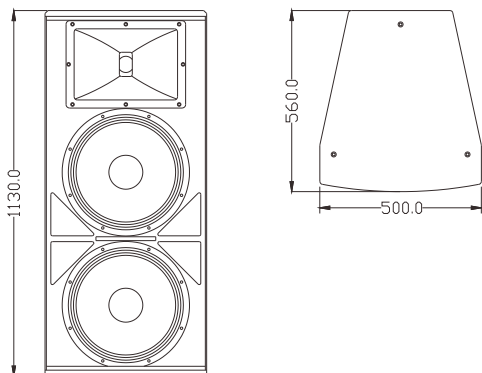
Two-way Loudspeaker System

The **U215V** is the ideal general-purpose loudspeaker with a wide frequency response, suitable for all kinds of mid-field theatre and live venue applications that require professional sound quality. U215DA is equipped with FA2.38 digital amplifier module to be an active loudspeaker based on U215V.

U215V是一款双15"两分音全音域音箱。采用两只15"高功率低音单元，一只2"喉口75芯钛膜高音驱动器配置专门设计的号角，箱体采用多层复合夹板，水性环保喷涂制作。U215DA是在U215V的基础上配置FA2.38功放组件成为有源音箱。



CONFIGURATION



FEATURES

- High quality plywood with special environmental protection paint
- Very high SPL from a full range passive enclosure
- Extended low frequency performance from dual 15" drivers
- Dedicated low distortion mid-bass driver
- 90° × 50° fiberglass horn
- 2" (50mm) exit titanium dome compression driver

产品特点

- 中高音灵敏度可调
- 高质量单元配置，高强度夹板箱体
- 多吊挂点，操作简单快捷
- 超长品质保证期：品质与信心的保证

适用范围

- 用于全音域室内、外扩声
- 多功能厅、高级酒店会所

MODEL	U215V	U215DA
FREQUENCY RESPONSE(-3dB)	40 Hz-18kHz	40 Hz-18kHz
FREQUENCY RESPONSE(-10dB)	35 Hz-20kHz	35 Hz-20kHz
DRIVERS	2x15"(385mm)/4"voice coil LF 1x2"(50mm)/3"voice coil HF	2x15"(385mm)/3"voice coil LF 1x2"(50mm)/3"voice coil HF
RATED POWER	1200W RMS,4800W peak	300W/8Ω+1200W/4Ω
SENSITIVITY	101dB 1watt/1meter	--
MAXIMUM SPL	132dB continuous,138dB peak	130dB continuous,136dB peak
IMPEDANCE	4 ohms nominal	--
DISPERSION(-6dB)	90°x50°	90°x50°
CROSSOVER FREQUENCIES	1.5kHz passive	--
INPUT CONNECTORS	2×Speakon NL4	INPUT TYPE:Balanced Differential line
PACKAGE SIZE	660mmx605mmx1250mm	660mmx605mmx1250mm
NET WEIGHT	64 kg/pc	55 kg/pc
GROSS WEIGHT	70 kg/pc	61 kg/pc