

## U series U112V U112VA

### Two-way Loudspeaker System

The U112V is the ideal general-purpose loudspeaker with a wide frequency response, suitable for all kinds of mid-field theatre and live venue applications that require professional sound quality. U112VA is equipped with FA1.6 digital amplifier module to be an active loudspeaker based on U112V.

U112V是一款12"两分音全音域音箱。采用一只12"高效率中低音单元，一只1"喉口44芯高分子聚酯膜高音驱动器配置90°×40°可旋转号角，箱体采用多层复合夹板，水性环保喷涂制作。U112VA是在U112V的基础上配置FA1.6功放组件成为有源音箱。

#### FEATURES

- High quality plywood with special environmental protection paint
- Compact two-way passive system
- Mid-high frequency's sensitivity can be adjusted
- Rotatable 90°×40°horn
- Flexible mounting options
- Top hat fitting for tripod

#### 产品特点

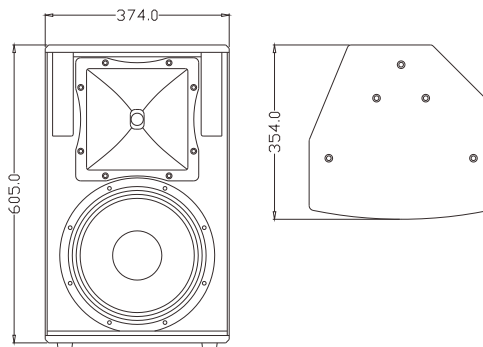
- 中高音灵敏度可调
- 高质量单元配置，高强度夹板箱体
- 多吊挂点与支撑配合，操作简易快捷
- 超长品质保证期：品质与信心的保证

#### 适用范围

- 用于全音域扩声
- 多功能厅、高级酒店会所
- 流动商演、乐队扩声以及舞台返送音箱



#### CONFIGURATION



#### MODEL

**FREQUENCY RESPONSE(-3dB)**

**FREQUENCY RESPONSE(-10dB)**

**DRIVERS**

**RATED POWER**

**SENSITIVITY**

**MAXIMUM SPL**

**IMPEDANCE**

**DISPERSION(-6dB)**

**CROSSOVER FREQUENCIES**

**INPUT CONNECTORS**

**PACKAGE SIZE**

**NET WEIGHT**

**GROSS WEIGHT**

#### U112V

50Hz-18kHz

45 Hz-20kHz

1x12"(300mm)/3"voice coil LF

1x1"(25mm)/1.7"voice coil HF

300W RMS,1200W peak

97dB 1watt/1meter

122dB continuous,128dB peak

8 ohms nominal

90°x40°

2kHz passive

2×Speakon NL4

490mmx470mmx730mm

21 kg/pc

25 kg/pc

#### U112VA

50Hz-18kHz

45 Hz-20kHz

1x12"(300mm)/3"voice coil LF

1x1"(25mm)/1.7"voice coil HF

600W/8Ω

--

122dB continuous,128dB peak

--

90°x40°

--

**INPUT TYPE:**Balanced Differential line

490mmx470mmx730mm

23 kg/pc

27 kg/pc