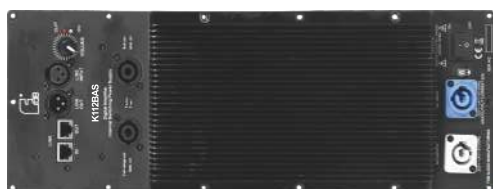


K112B K series K112BAS

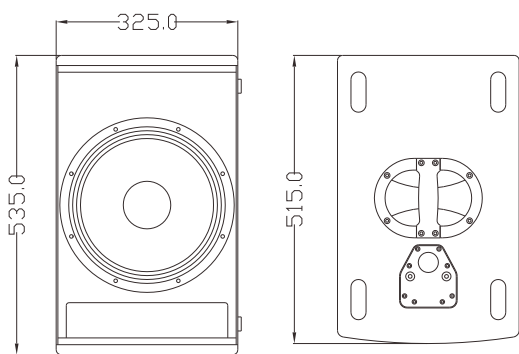
Sub-woofer System

K112B is a single 12" subwoofer, using 3" voice coil woofer, made of high quality plywood with polyurea waterproof paint. K112BAS is equipped with digital amplifier module with DSP to be an active system with full range and sub outputs based on K112B.

K112B是一款单12"超低音箱，采用一只12" 75芯高效率超低音单元，倒相式箱体设计，箱体采用多层复合夹板，聚脲喷涂，K112BAS是在K112B的基础上配置两通道带DSP的数字功放组件，形成有源系统，具有全频和超低音输出功能。



CONFIGURATION



FEATURES

- High quality plywood with polyurea waterproof paint
- Bass reflex design
- High temperature 3"(75mm) voice coil
- Top hat fitting for pole mounting to K series
- To match small size K series full range speakers

系统特征

- 高质量单元配置，多层复合夹板箱体聚脲喷涂
- 多种安装方式，操作简易快捷
- 开关电源数字功放，内置DSP信号处理
- 具有超低音及全频输出功能
- 超长品质保证期：品质与信心的保证

适用范围

- 流动商演、教堂、会议室、多功能厅
- 配合小型K系列全频使用、提升低频表现

MODEL

FREQUENCY RESPONSE(-3dB)

DRIVERS

RATED POWER

SENSITIVITY

MAXIMUM SPL

IMPEDANCE

INPUT CONNECTORS

PACKAGE SIZE

NET WEIGHT

GROSS WEIGHT

K112B

40Hz-300Hz

1×12"(300mm)/3"voice coil LF

300W RMS,1200W peak

96dB 1watt/1meter

121dB continuous,127dB peak

8 ohms nominal

2×Speakon NL4

605mm×415mm×632mm

22 kg/pc

26 kg/pc

K112BAS

40Hz-300Hz and 50Hz-20kHz

1×12"(300mm)/3"voice coil LF

350W/8Ω+350W/8Ω, 700W/4Ω+700W/4Ω

--

121dB continuous,127dB peak

--

INPUT TYPE: Balanced Differential line

605mm×415mm×632mm

24 kg/pc

28 kg/pc