



LTseries **LT208** **LT208T**

Two-way Loudspeaker System

The **LT208** is a compact, 8" coaxial-driver, 2-way, highly weather-resistant, full range loudspeaker with high SPL, the body is made of engineering plastic injection molding. The system conforms to IP56 international standard. **LT208T** is equipped with multi-tap transformer based on **LT208**.

LT208是一款8寸同轴两分音全天候音箱，箱体设计优先考虑全天候使用环境和高声压输出，采用8"中低音与高音驱动器同轴喇叭，中低音与高音全部采用号角负载设计，箱体采用工程塑胶注塑而成。**LT208T**是在**LT208**的基础上配置多种电压选择功能的定压音箱。产品符合IP56国际标准。

FEATURES

- Highly weather-resistant IP56 rating
- Engineering plastic injection molding
- High SPL
- Horn loaded design for coaxial components
- Good used for sports facilities, stadiums, water parks, outdoor background music, swimming pools and a wide variety of other outdoor venue types.

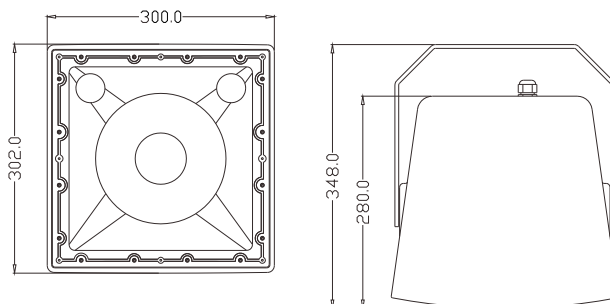
产品特点

- 高质量单元配置，工程塑胶箱体
- 号角负载设计，高音压级输出
- 单元隐藏式安装，适应全天候使用
- 超长品质保证期：品质与信心的保证

适用范围

- 用于中远程语言扩声
- 广场、主题公园、景区扩声

CONFIGURATION



MODEL

FREQUENCY RESPONSE(-3dB)

FREQUENCY RESPONSE(-10dB)

DRIVERS

INPUT VOLTAGE

RATED POWER

SENSITIVITY

MAXIMUM SPL

IMPEDANCE

DISPERSION(-6dB)

CROSSOVER FREQUENCIES

INPUT CONNECTORS

PACKAGE SIZE

NET WEIGHT

GROSS WEIGHT

LT208

80Hz-18kHz

75Hz-20kHz

1×8"(200mm)/2" voice coil LF

1×1"(25mm)/1.4" voice coil HF

150W RMS, 600W peak

96dB 1watt/1 metre

117dB continuous, 123dB peak

8 ohms nominal

100°×100°

2.5kHz passive

covered barrier strip terminals

410mm×368mm×377mm

10 kg/pc

12 kg/pc

LT208T

80Hz-18kHz

75Hz-20kHz

1×8"(200mm)/2" voice coil LF

1×1"(25mm)/1.4" voice coil HF

100V

37.5W/75W/150W/OFF/8Ω

96dB 1watt/1 metre

117dB continuous, 123dB peak

8 ohms nominal

100°×100°

2.5kHz passive

covered barrier strip terminals

410mm×368mm×377mm

11 kg/pc

13 kg/pc