



# FT series FT15 II

## Two-way Loudspeaker System

### FEATURES

- High quality MDF with special environmental protection paint
- Wide-bandwidth system
- Rotatable 80°×50° horn

The FT15 II is a 2-way system with one 15"(385mm) woofer and one 1"(25mm) exit compression driver mounted on a rotatable 80°×50° horn.

FT15 II 是一款15"两分音全音域音箱。采用一只15"高效率低音单元，一只1"喉口34芯钛膜高音驱动器配置80°×50°可旋转号角，箱体采用高密度复合板，水性环保喷涂制作。

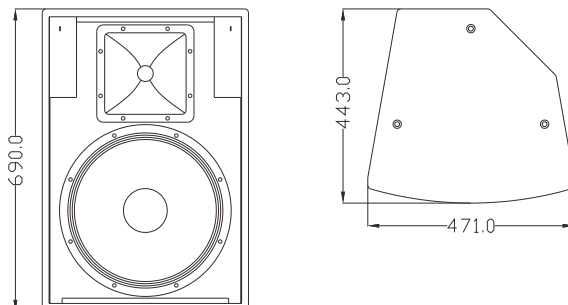
### 产品特征

- 优化单元配置，高强度复合板箱体，性价比极高
- 多吊挂点与支撑配合，操作简易快捷
- 超长品质保证期：品质与信心的保证

### 适用范围

- 用于全音域扩声、语言会议系统
- 多功能厅、高级酒店会所、学校教室
- 小型室外扩声

### CONFIGURATION



<b>FREQUENCY RESPONSE(-3dB)</b>	40Hz-20kHz
<b>FREQUENCY RESPONSE(-10dB)</b>	35Hz-20kHz
<b>DRIVERS</b>	1×15"(385mm)/2.5" voice coil LF 1×1"(25mm)/1.4" voice coil HF
<b>RATED POWER</b>	300W RMS, 1200W peak
<b>SENSITIVITY</b>	97dB 1watt/1 metre
<b>MAXIMUM SPL</b>	121 dB continuous, 127 dB peak
<b>IMPEDANCE</b>	8 ohms nominal
<b>DISPERSION(-6dB)</b>	80°×50°
<b>CROSSOVER FREQUENCIES</b>	2kHz passive
<b>INPUT CONNECTORS</b>	2× Speakon NL4
<b>PACKAGE SIZE</b>	565mm×545mm×795mm
<b>NET WEIGHT</b>	27 kg/pc
<b>GROSS WEIGHT</b>	30 kg/pc