



pro audio



FT series FT10 II

Two-way Loudspeaker System

FEATURES

- High quality MDF with special environmental protection paint
- Ultra-compact two-way system
- Rotatable 90°×50° horn

The FT10 II is a 2-way system with one 10" (250mm) woofer and one 1" (25mm) exit compression driver mounted on a rotatable 90°×50° horn.

FT10 II 是一款10"两分音全音域音箱。采用一只10"高效率低音单元，一只1"喉口25芯高分子聚酯膜高音驱动器配置 90°×50° 可旋转号角，箱体采用高密度复合板，水性环保喷涂制作。

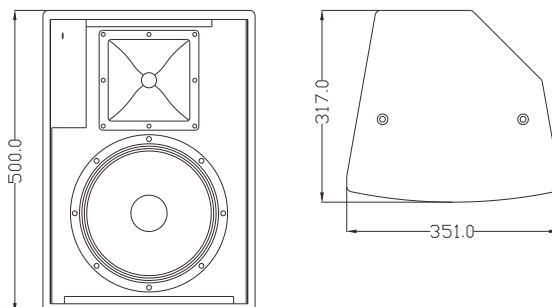
产品特征

- 高质量单元配置，高强度复合板箱体
- 体积小、重量轻便于搬运和固定安装
- 多吊挂点与支撑配合，操作简易快捷
- 超长品质保证期：品质与信心的保证

适用范围

- 用于全音域扩声、语言扩声会议系统
- 背景音乐重放、学校教室

CONFIGURATION



FREQUENCY RESPONSE(-3dB)	50Hz-18kHz
FREQUENCY RESPONSE(-10dB)	45Hz-20kHz
DRIVERS	1×10"(250mm)/2" voice coil LF 1×1"(25mm)/ 1"voice coil HF
RATED POWER	150W RMS,600W peak
SENSITIVITY	95dB 1watt/1 metre
MAXIMUM SPL	117 dB continuous,123 dB peak
IMPEDANCE	8 ohms nominal
DISPERSION(-6dB)	90°×50°
CROSSOVER FREQUENCIES	2.2 kHz passive
INPUT CONNECTORS	2× Speakon NL4
PACKAGE SIZE	440mm×400mm×585mm
NET WEIGHT	13 kg/pc
GROSS WEIGHT	15 kg/pc