

# FTseries FT8II

## Two-way Loudspeaker System



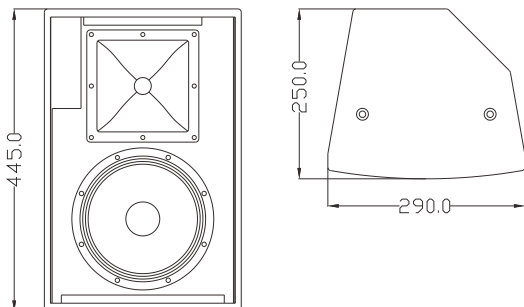
The FT8 II is a 2-way system with one 8" (200mm) woofer and one 1"(25mm) exit compression driver mounted on a rotatable 90°×50° horn.

FT8 II 是一款8"两分音全音域音箱。采用一只8"高效率低音单元，一只1"喉口25芯高分子聚酯膜高音驱动器配置90°×50°可旋转号角，箱体采用高密度复合板，水性环保喷涂制作。

### FEATURES

- High quality MDF with special environmental protection paint
- Ultra-compact two-way system
- Rotatable 90°×50° horn

### CONFIGURATION



### 产品特点

- 高质量单元配置，高强度复合板箱体
- 体积小、重量轻便于搬运和固定安装
- 多吊挂点与支撑配合，操作简易快捷
- 超长品质保证期：品质与信心的保证

### 适用范围

- 用于全音域扩声、语言扩声会议系统
- 背景音乐重放、学校教室



<b>FREQUENCY RESPONSE(-3dB)</b>	55Hz-18kHz
<b>FREQUENCY RESPONSE(-10dB)</b>	50Hz-20kHz
<b>DRIVERS</b>	1×8"(200mm)/1.5"voice coil LF 1×1"(25mm)/1"voice coil HF
<b>RATED POWER</b>	100W RMS,400W peak
<b>SENSITIVITY</b>	92dB 1watt/1 metre
<b>MAXIMUM SPL</b>	112 dB continuous,118 dB peak
<b>IMPEDANCE</b>	8 ohms nominal
<b>DISPERSION(-6dB)</b>	90°×50°
<b>CROSSOVER FREQUENCIES</b>	2.5 kHz passive
<b>INPUT CONNECTORS</b>	2× Speakon NL4
<b>PACKAGE SIZE</b>	615mm×380mm×535mm(carton/pair)
<b>NET WEIGHT</b>	9 kg/pc
<b>GROSS WEIGHT</b>	21 kg/pair