



## CXseries CX15 CX150A

### Two-way Loudspeaker System

The **CX15** is a two-way structure plastic cabinet system with waterproof and sunscreening housing. Fitted with one 15" woofer and one 1"(25mm) exit compression driver coupled to a 90°×60° horn.

CX15是一款15寸两分音全音域工程塑胶音箱。采用一只15寸高效率低音单元，一只1寸喇叭25芯高分子聚酯膜高音驱动器，箱体采用工程塑胶注塑而成。CX150A是一款15寸大功率有源音箱，采用一只15寸高效率低音单元，一只1寸喇叭44芯高音驱动器，配置300W+100W模拟功放组件；

#### FEATURES

- Strong plastic cabinet
- Molded-in 90°×60° horn
- High power output
- Structure plastic cabinet, waterproof and suncreening



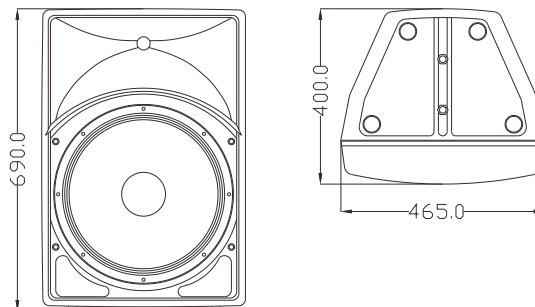
#### 产品特征

- 高质量单元配置,工程塑胶箱体,适合全天候使用
- 多吊挂点与支撑配合,可以固定安装与流动使用
- 超长品质保证期: 品质与信心的保证

#### 适用范围

- 用于全音域扩声、语言会议系统
- 小型室内外扩声，流动演出

#### CONFIGURATION



MODEL	CX15	CX150A
FREQUENCY RESPONSE(-3dB)	40Hz-20kHz	40Hz-20kHz
DRIVERS	1×15"(380mm)/2.5"voice coil LF 1×1"(25mm)/ 1"voice coil HF	1×15"(380mm)/3"voice coil LF 1×1"(25mm)/ 1.7"voice coil HF
RATED POWER	300W RMS,1200W peak	300W+100W RMS
SENSITIVITY	97dB 1watt/1 metre	/
MAXIMUM SPL	121dB continuous,127 dB peak	121dB continuous,127 dB peak
IMPEDANCE	8 ohms nominal	Line 20k ohm Mic: 2k ohm
DISPERSION(-6dB)	90°×60°	90°×60°
CROSSOVER FREQUENCIES	2.2kHz passive	/
INPUT CONNECTORS	2×Speakon NL4	/
PACKAGE SIZE	530mmx490mmx775mm	530mmx490mmx775mm
NET WEIGHT	19 kg/pc	28 kg/pc
GROSS WEIGHT	22 kg/pc	32 kg/pc