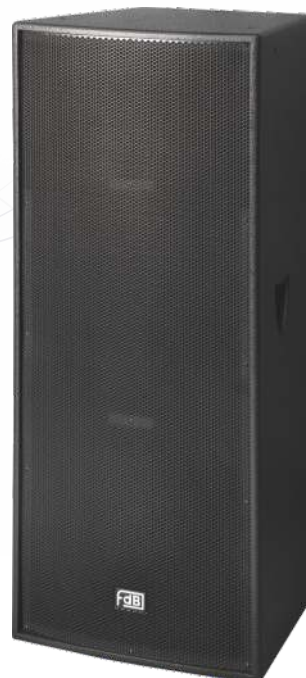


FT series FT215II

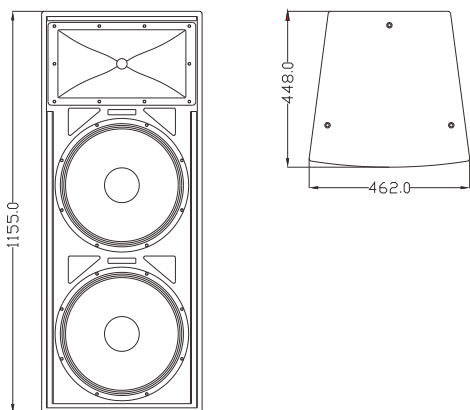
Two-way Loudspeaker System



The **FT215 II** is a 2-way system with two 15" (385mm) woofer and one 1" (25mm) exit compression driver mounted on a special 100° × 50° horn.

FT215 II 是一款双15"两分音全音域音箱。采用两只15"高效率低音单元，一只1"喉口44芯高分子聚酯膜高音驱动器配置专门设计的号角，箱体采用高密度复合板，水性环保喷涂制作。

CONFIGURATION



FEATURES

- High quality MDF with special environmental protection paint
- Very high SPL from a full range passive enclosure
- 100° × 50° plastic horn

产品特点

- 优化单元配置，高强度复合板箱体，性价比极高
- 多吊挂点，操作简易快捷
- 超长品质保证期：品质与信心的保证

适用范围

- 用于全音域扩声、语言会议系统
- 多功能厅、高级酒店会所
- 小型室外扩声



FREQUENCY RESPONSE(-3dB)	40Hz-20kHz
DRIVERS	2×15"(385mm)/3" voice coil LF 1×1"(25mm)/ 1.7" voice coil HF
RATED POWER	700W RMS, 2800W peak
SENSITIVITY	100dB 1watt/1 metre
MAXIMUM SPL	129 dB continuous, 135 dB peak
IMPEDANCE	4 ohms nominal
DISPERSION(-6dB)	100° × 50°
CROSSOVER FREQUENCIES	2.2 kHz passive
INPUT CONNECTORS	2× Speakon NL4
PACKAGE SIZE	565mm × 555mm × 1270mm
NET WEIGHT	41 kg/pc
GROSS WEIGHT	47 kg/pc