



pro audio



Qs series QS15 II

Two-way Loudspeaker System

FEATURES

- High quality plywood with special environmental protection paint
- Wide-bandwidth system
- Rotatable (50-100)° × 55° horn
- Flexible mounting options
- Top hat fitting for tripod

产品特点

- 高质量单元配置，高强度夹板箱体
- 多吊挂点与支撑配合，操作简易快捷
- 超长品质保证期：品质与信心的保证

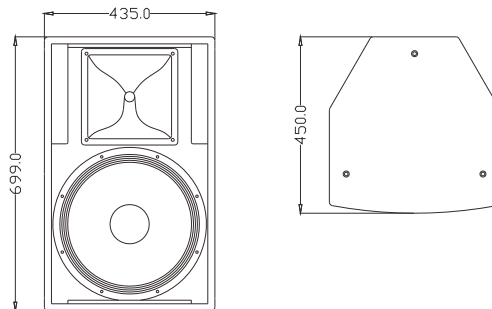
适用范围

- 用于全音域扩声、高级卡拉OK包房、慢摇吧
- 多功能厅、高级酒店会所
- 流动商演、乐队扩声以及舞台返送音箱

The QS15 II is the larger cabinet delivers really solid low end performance from a trapezoidal cabinet, suitable for most mid-field applications it can be used as a stand-alone full-range loudspeaker.

QS15 II 是一款15"两分音全音域音箱。采用一只15"高效率低音单元，一只1"喉口44芯高分子聚酯膜高音驱动器配置(50-100)° × 55°可旋转号角，箱体采用多层复合夹板，水性环保喷涂制作。

CONFIGURATION



FREQUENCY RESPONSE(-3dB)	40 Hz-18kHz
DRIVERS	1 × 15"(385mm)/3"voice coil LF 1 × 1"(25mm)/ 1.7"voice coil HF
RATED POWER	400W RMS,1600W peak
SENSITIVITY	98dB 1watt/1 metre
MAXIMUM SPL	124dB continuous,130 dB peak
IMPEDANCE	8 ohms nominal
DISPERSION(-6dB)	(50-100)° × 55°
CROSSOVER FREQUENCIES	2.2kHz passive
INPUT CONNECTORS	2×Speakon NL4
PACKAGE SIZE	570mm × 530mm × 820mm
NET WEIGHT	29 kg/pc
GROSS WEIGHT	32 kg/pc