

Qs series QS12II

Two-way Loudspeaker System



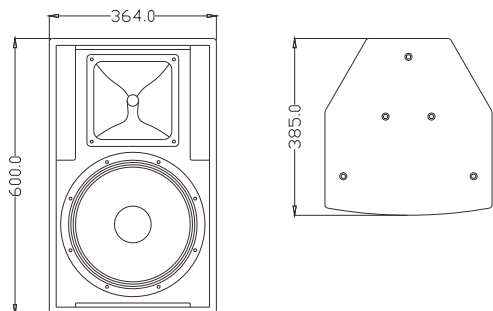
The QS12 II is the ideal general-purpose loudspeaker with a wide frequency response, suitable for all kinds of mid-field theatre and live venue applications that require professional sound quality.

QS12 II 是一款12"两分音全音域音箱。采用一只12"高效率低音单元，一只1"喉口44芯高分子聚酯膜高音驱动器配置(50-100)°×55°可旋转号角，箱体采用多层复合夹板，水性环保喷涂制作。

FEATURES

- High quality plywood with special environmental protection paint
- Compact two-way passive system
- Rotatable (50-100)°×55° horn
- Flexible mounting options
- Top hat fitting for tripod

CONFIGURATION



产品特征

- 高质量单元配置，高强度夹板箱体
- 多吊挂点与支撑配合，操作简易快捷
- 超长品质保证期：品质与信心的保证

适用范围

- 用于全音域扩声、高级卡拉OK包房、慢摇吧
- 多功能厅、高级酒店会所
- 流动商演、乐队扩声以及舞台返送音箱



FREQUENCY RESPONSE(-3dB)	50 Hz-18kHz
DRIVERS	1×12"(300mm)/3"voice coil LF 1×1"(25mm)/1.7"voice coil HF
RATED POWER	300W RMS,1200W peak
SENSITIVITY	97dB 1watt/1 metre
MAXIMUM SPL	122dB continuous,128 dB peak
IMPEDANCE	8 ohms nominal
DISPERSION(-6dB)	(50-100)°×55°
CROSSOVER FREQUENCIES	2kHz passive
INPUT CONNECTORS	2×Speakon NL4
PACKAGE SIZE	505mm×490mm×730mm
NET WEIGHT	21 kg/pc
GROSS WEIGHT	24 kg/pc