



pro audio



# Qs series QS10 II

## Two-way Loudspeaker System

### FEATURES

- High quality plywood with special environmental protection paint
- Ultra-compact two way system
- Rotatable (50-100)° × 55° horn
- High power output
- Flexible mounting options
- Top hat fitting for tripod

### 产品特征

- 高质量单元配置，高强度夹板箱体
- 体积小、重量轻便于搬运和固定安装
- 多吊挂点与支撑配合，操作简易快捷
- 超长品质保证期：品质与信心的保证

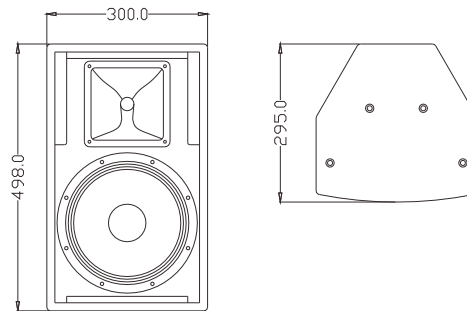
### 适用范围

- 用于全音域扩声、语言会议系统、高级卡拉OK包房
- 多功能厅、高级酒店会所
- 流动商演、乐队扩声以及小型舞台返送音箱

The QS10 II is an all-purpose full-range loudspeaker designed for near-field contracting applications. Rated at 250 watts(RMS), fitted with one 10" woofer and one 1" exit compression driver coupled to a rotatable (50-100)° × 55° horn.

QS10 II 是一款10"两分音全音域音箱。采用一只10"高效率低音单元，一只1"喉口34芯高分子聚酯膜高音驱动器配置(50-100)° × 55°可旋转号角，箱体采用多层复合夹板，水性环保喷涂制作。

### CONFIGURATION



<b>FREQUENCY RESPONSE(-3dB)</b>	55 Hz-18kHz
<b>DRIVERS</b>	1 × 10"(250mm)/2.5"voice coil LF 1 × 1"(25mm)/ 1.4"voice coil HF
<b>RATED POWER</b>	250W RMS,1000W peak
<b>SENSITIVITY</b>	95dB 1watt/1 metre
<b>MAXIMUM SPL</b>	119dB continuous,125 dB peak
<b>IMPEDANCE</b>	8 ohms nominal
<b>DISPERSION(-6dB)</b>	(50-100)° × 55°
<b>CROSSOVER FREQUENCIES</b>	2.2kHz passive
<b>INPUT CONNECTORS</b>	2×Speakon NL4
<b>PACKAGE SIZE</b>	395mm × 390mm × 605mm
<b>NET WEIGHT</b>	13 kg/pc
<b>GROSS WEIGHT</b>	15 kg/pc