



FDB AUDIO MANUFACTURE CO.,LTD.  
 Tel: +86 (0)769-22781017 +86 (0)769-22781297  
 www.fdbaudio.com www.fdb-proaudio.com  
 marketing@fdbaudio.com



All-Weather Speaker System  
**Leader of China**



官方网站  
 Official Website



微信公众号  
 WeChat Official Account



电子版画册下载  
 E-Catalogue Download

技术规格如有变动，恕不另行通知！



**ALL-WEATHER SPEAKER SYSTEM**



全天候扬声器系统

**引领者**

2026  
 www.fdbaudio.com



FDB AUDIO MANUFACTURE CO.,LTD.

ALL-WEATHER SPEAKER SYSTEM



# 我们的企业

## ABOUT US

FDB Audio Manufacture Co., Ltd. is a professional audio company integrating R&D, production, sales and engineering services. FDB Audio builds a high-quality and stable professional team with advanced R&D , production and testing equipments and instruments, and establishes cooperative development mechanism with a number of world-class professional materials, accessories manufacturers and testing institutions.

The main products are professional speaker units, professional speaker systems and matching electronic products.

“Let the voice of harmony resound through the world” is our corporate vision, let the voice of peace and harmony resound around the world through our products and services.

“Achieve partners ,serve the society” is our corporate mission. We believe that the achievement of customers, suppliers and employees is to achieve ourselves, to make the greatest contribution to social progress.

“Pursue better, share together” is our value, which aims to research and develop, manufacture better products, provide better services, obtain reasonable profits, share with customers, staffs and suppliers.

FDB Audio has established and strictly implemented the quality management system of ISO9001-2015 standard. “Clear basis, perfect procedure, strict implementation, cherish environment, care for health, customer satisfaction.” is our policy.

On the basis of strong electroacoustic research technology and more than 30 years of industry practice, and with the business philosophy of “Ambitiously conceive, pragmatically do”, we provide customers with stable and reliable quality, leading technology and continuous improvement of professional audio products and services.

爱高音响有限公司是集研发、生产、销售及工程服务为一体的专业音响公司。建设有一只高素质、稳定的专业团队，拥有先进的研发设计、生产检测设备及仪器，与多家世界级专业材料、配件厂商、测试机构建立合作开发机制。

主要产品有专业扬声器单元，专业扬声器系统及配套的电子产品，是全天候专业扬声器系统的引领者。

“让和谐之声响彻天下”，是我们的企业愿景，旨在通过我们的产品及服务让和平、和谐的声音在世界各地响起。

“成就伙伴、服务社会”，是我们的企业使命，我们认为：成就客户、供应商、员工就是成就我们自己，为社会进步做出最大贡献。

“追求更好，共同分享”，是我们的价值观，意在研发，制造更好的产品，提供更优质的服务，获得合理的利润，与顾客、员工、供应商共同分享。

公司建立并严格执行ISO9001-2015标准的质量管理体系，“依据明确，流程健全，严格执行，呵护环境，注重健康，顾客满意”是我们的方针。

我们凭借着雄厚的电声学研究技术和三十多年的行业实践为基础，以“壮志凌云地想，脚踏实地地干”为经营理念，向顾客提供质量稳定可靠、技术含量领先、并持续提高的专业音响产品与服务。



### COMPANY VALUES

**Vision:** Let the voice of harmony resound through the world.  
**Mission:** Achieve partners ,serve the society.  
**Value:** Pursue better, share together.  
**Spirit:** Unity, diligence, pragmatism, innovation.  
**Policy:** Clear basis, perfect procedure, strict implementation, cherish environment, care for health, customer satisfaction.  
**Business Philosophy:** Ambitiously conceive, pragmatically do.

### 公司价值准则

**企业愿景:** 让和谐之声响彻天下。  
**企业使命:** 成就伙伴，服务社会。  
**价值观:** 追求更好，共同分享。  
**企业精神:** 团结勤奋，务实创新。  
**企业方针:** 依据明确，流程健全，严格执行，呵护环境，注重健康，顾客满意。  
**经营理念:** 壮志凌云地想，脚踏实地地干。





# 我们的荣誉及专利

## OUR HONOR AND PATENTS

### 高新技术产品认证

#### HIGH-TECH PRODUCT CERTIFICATION

全天候音箱/中远程全天候产品 被认定为广东省高新技术产品。  
All-weather speaker, mid-long throw all weather product have been identified as high-tech products in Guangdong Province.



### 专利证书

#### PATENT CERTIFICATE

全天候音箱实用新型专利/全天候音箱外观专利  
All-weather Speaker Utility Model Patent, All-weather Speaker Design Patent

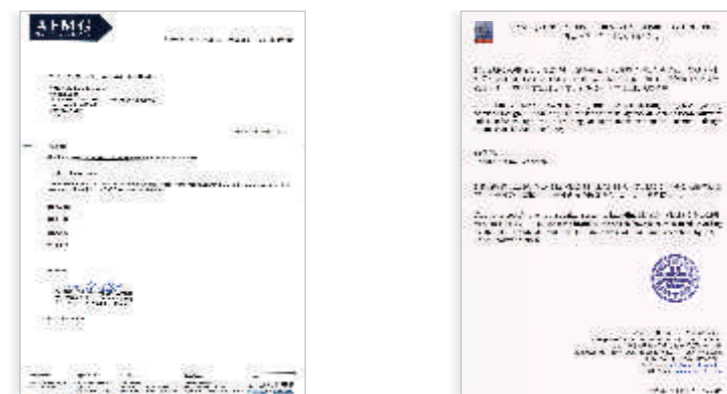


# 我们的资质及认证

## OUR QUALIFICATIONS AND CERTIFICATION

### EASE

全天候音箱产品已经录入EASE 声学软件库  
All-weather speaker parameters have been entered into EASE loudspeaker database



### CE&RoHS 认证

#### CE&RoHS CERTIFICATION



### 防水认证

#### WATERPROOF CERTIFICATION





# 我们的环境试验

## OUR ENVIRONMENTAL TESTING

全天候音响可靠性 环境试验  
All-weather Speaker Reliability, Environmental Testing



防尘测试  
Dustproof Test



防水测试  
Waterproof Test



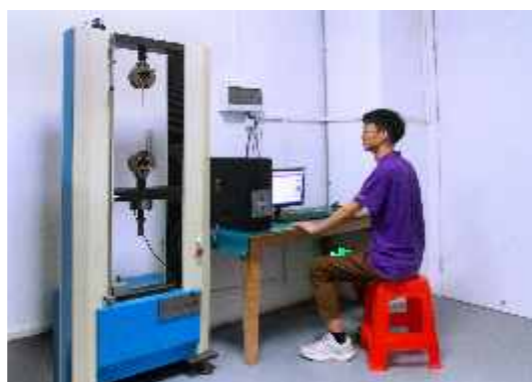
高低温湿热测试  
High and Low Temperature Humidity Test



抗UV测试  
UV Resistance Test



盐雾测试  
Salt Spray Test



拉力测试  
Tensile Test



寿命测试  
Aging Test



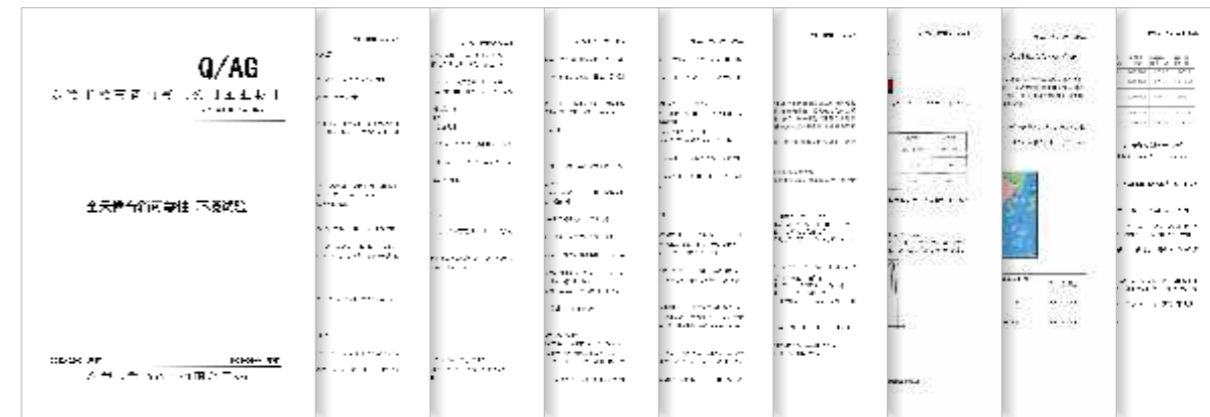
跌落测试  
Drop Test

# 我们的企业标准

## OUR CORPORATE STANDARDS Q/AG ii f01004-2022



全天候音箱可靠性 环境试验 执行标准  
All-weather Speaker Reliability, Environmental Testing, Implementation Standard



### 全天候音箱 All-weather Speaker

对运输、贮存、使用环境有广泛适应性，可在极端气候条件下长期户外使用的音箱。全天候的环境适应力，除符合GB/T 9397耐受振动、滑落冲击、跌落、高温负荷和贮存、低温负荷和贮存、稳态湿热的要求外，还应额外具备防止雨水灰尘侵入、耐受盐雾腐蚀、抗霉菌、抗阳光辐射及低气压适应性。

It has a wide range of adaptability to transportation, storage and use environment, and can be used outdoors for a long time under extreme weather conditions. All-weather environmental adaptability, in addition to the requirements of GB/T9397 tolerance to vibration, slide impact, drop, high temperature load and storage, low temperature load and storage, steady heat bleaching, it should also be additional to prevent the intrusion of rain and dust, withstand salt spray corrosion resistance, mold resistance, solar radiation resistance and low air pressure adaptability.

### 引用标准 Reference Standard

下列文件中的条款通过本标准的引用而成为本标准的条款。凡是注明日期的引用文件，其随后所有的修改单(不包括勘误的内容)或修订版均不适用于本标准。凡是不注明日期的引用文件，其最新版本适用于本标准。

The terms in the following documents become terms of this Standard by reference to this Standard. For dated references, all subsequent amendments (excluding erratum) or revisions shall not apply to this Standard. For undated references, the latest version of the document applies to this standard.

- GB/T 9397-2013 直接辐射式电动扬声器通用规范
- GB 2421-1999 电工电子产品环境试验规程 总则
- GB/T 10125-2012/ISO9227:2006 人造气氛腐蚀试验 盐雾试验
- GB/T 4208-2017 外壳防护等级 (IP代码)
- GB/T 2423.24-2013 电工电子产品环境试验 第2部分: 试验方法 试验Sa: 模拟地面上的太阳辐射
- GB/T 2423.16-2008 电工电子产品环境试验 第2部分: 试验方法 试验J和导则: 长霉
- GB/T 2423.21-2008 电工电子产品环境试验 第2部分: 试验方法 试验M: 低气压
- GB/T9397-2013 General Specification for Direct Radiant Electric Loudspeaker
- GB 2421-1999 General Rules for Environmental Testing of Electrical and Electronic Products
- GB/T 10125-2012 / ISO9227:2006 Corrosion Test in Artificial Atmosphere, Salt Spray Test
- GB/T 4208-2017 Enclosure Protection Class (IP Code)
- GB/T2423.24-2013 Environmental Testing of Electrical and Electronic Products, Part two: Test Meathod, Test Sa: Simulates Solar Radiation on The Ground
- GB/T2423.16-2008 Environmental Testing of Electrical and Electronic Products, Part two: Test Meathod, Test J and Guide Rule: Mould Growth
- GB/2423.21-2008 Environmental Testing of Electrical and Electronic Products, Part two: Test Meathod, Test M: Low Air Pressure Test



# 我们的工程案例

## OUR PROJECT CASE

**All-weather Speaker Applications:** indoor and outdoor fixed installations, theme parks, ski resorts, camping sites, transportation hubs, municipal squares, stadiums, playgrounds, classrooms, churches, background music for big screens, outdoor restaurants, bars, houseboats, seaside sound reinforcement(to be customized) projects.

**全天候扬声器系统适用于:** 户内外固定安装、主题公园、滑雪场、露营地、交通枢纽、市政广场、体育场、操场, 教室, 教堂、大屏背景音乐, 户外餐厅、酒吧, 游艇、海边扩声(需定制)等扩声工程项目。



浙江安吉奇幻嘉乐比乐园  
Zhejiang Anji Fantasy Jia'ebi Paradise



兰州新区第一初级中学  
Lanzhou New Area No.1 Junior High School



吉安县庐陵学校  
Ji'an County Luling School



佛山市渔人码头  
Foshan Fisherman's Wharf



四川木里县红科中学  
Hongke Middle School, Muli County, Sichuan



贵州民用航空职业学院  
Guizhou Civil Aviation Vocational College



深圳锦绣中华民俗村  
Shenzhen Splendid China Folk Village



蒙古通辽科尔沁区明德实验小学  
Mingde Experimental Primary School,  
Horqin District, Tongliao, Mongolia



重庆大渡口翠湖音乐喷泉  
Chongqing Dadukou Green Lake Music Fountain



江西神龟奇妙夜  
Night At Mount.Gui in Jiangxi Province



台北奥迪汽车露天顶楼展示区  
Taipei Audi car outdoor top floor exhibition area



内蒙某小学  
A primary school in Inner Mongolia



土库曼斯坦 - 剧场  
Turkmenistan - Theater



阿曼 - Al-Khouth清真寺  
Oman - Al-Khouth Mosque



马耳他 - 游泳池  
Melta Swimming Pool



伊拉克 - 大型体育场  
Iraq - Large Stadium



迪拜 - Sheikh Rashid Bin Humaid清真寺  
Dubai - Sheikh Rashid Bin Humaid Mosque



巴基斯坦 - 贾米亚穆罕默迪·萨关瓦拉清真寺  
Pakistan - Jamia Masjid Muhammadi  
Sahianwala



埃及 - 地中海北海岸  
Egypt - The northern coast of the  
Mediterranean Sea



印尼 - Dewa United 篮球俱乐部球馆  
Indonesia - Dewa United Basketball  
Club Arena



吉尔吉斯斯坦 - 国家体育馆  
Kyrgyzstan - National Stadium



尼日利亚 - KOKO 海边度假酒店  
Nigeria - KOKO Seaside Resort Hotel



塞浦路斯 - 海岩洞清吧  
Cyprus-Sea Caves Lounge Bar



马其顿 - 黑山Almara海滩项目  
Macedonia - Montenegro Almara Beach Project



越南 - VINGROUP Mall  
Vietnam - VINGROUP Mall



墨西哥 - 高尔夫俱乐部餐厅  
Mexico - Club Restaurant

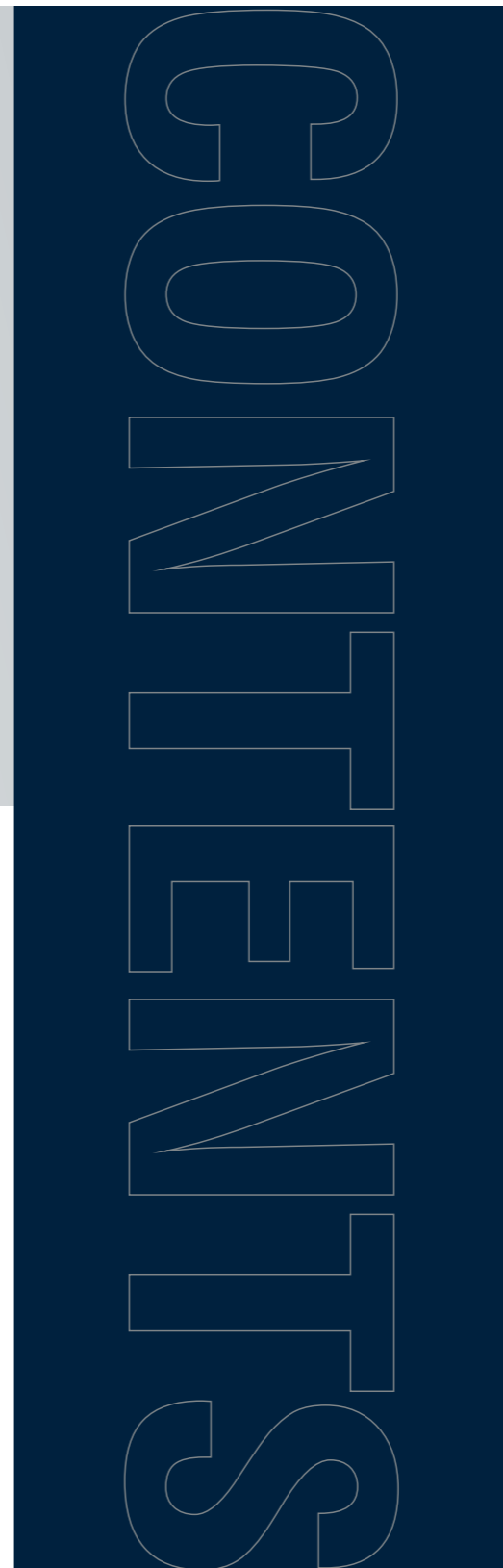
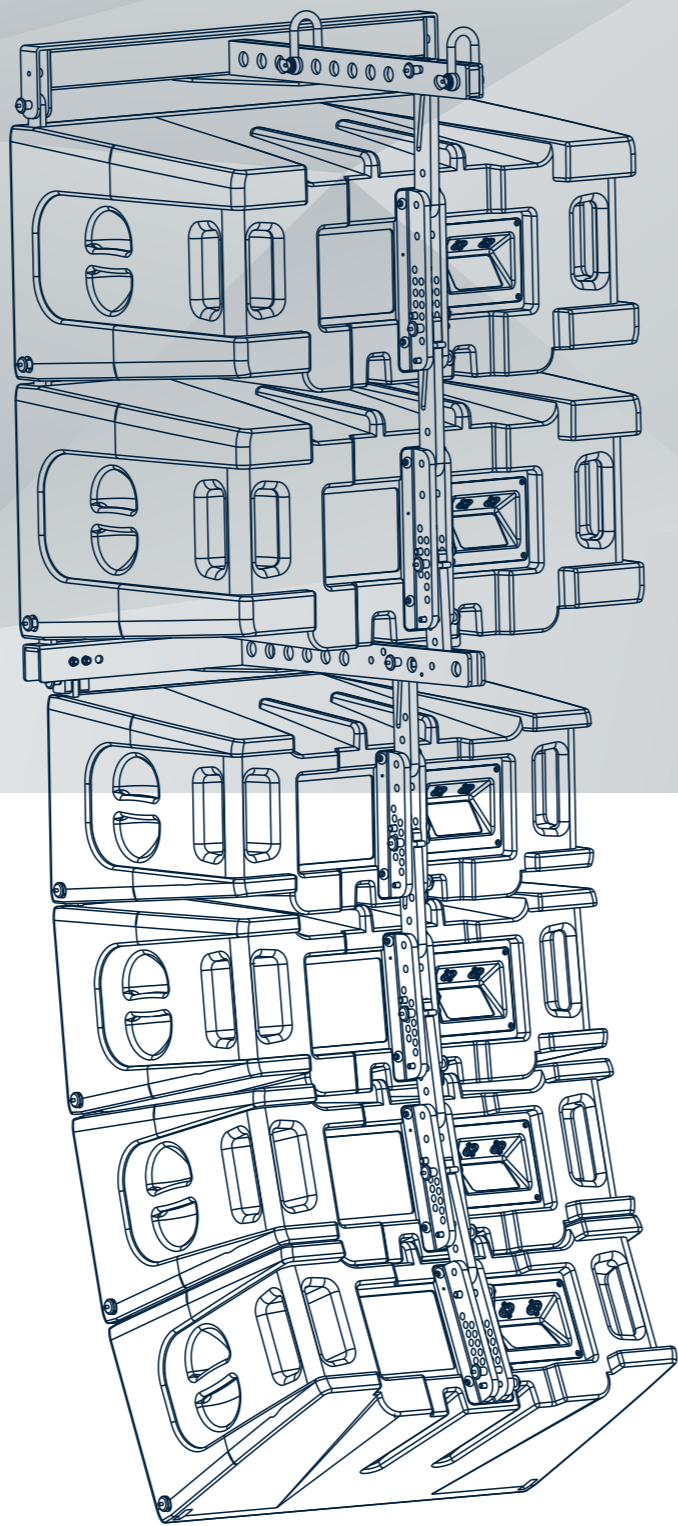


巴西 - 某度假酒店  
Brazil- A Resort Hotel



# 我们的产品 OUR PRODUCTS

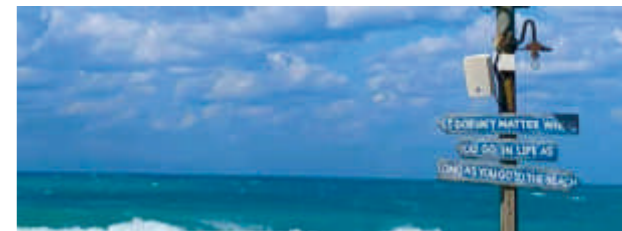
- PLA SERIES All-weather Line Array System
- LT/LT-H/LT-P SERIES All-weather Mid-long Throw Speaker
- ES SERIES All-weather Multi-purpose Engineering Speaker
- WP SERIES All-weather Multi-purpose Plastic Speaker
- CL SERIES All-weather Multi-function Column Speaker
- LS SERIES All-weather Landscape Speaker



PLA SERIES All-weather Line Array System PAGE 11-16



LT/LT-H/LT-P SERIES All-weather Mid-long Throw Speaker PAGE 17-34



ES SERIES All-weather Multi-purpose Engineering Speaker PAGE 35-40



WP SERIES All-weather Multi-purpose Plastic Speaker PAGE 41-46



CL SERIES All-weather Multi-function Column Speaker PAGE 47-52



LS SERIES All-weather Landscape Speaker PAGE 53-54

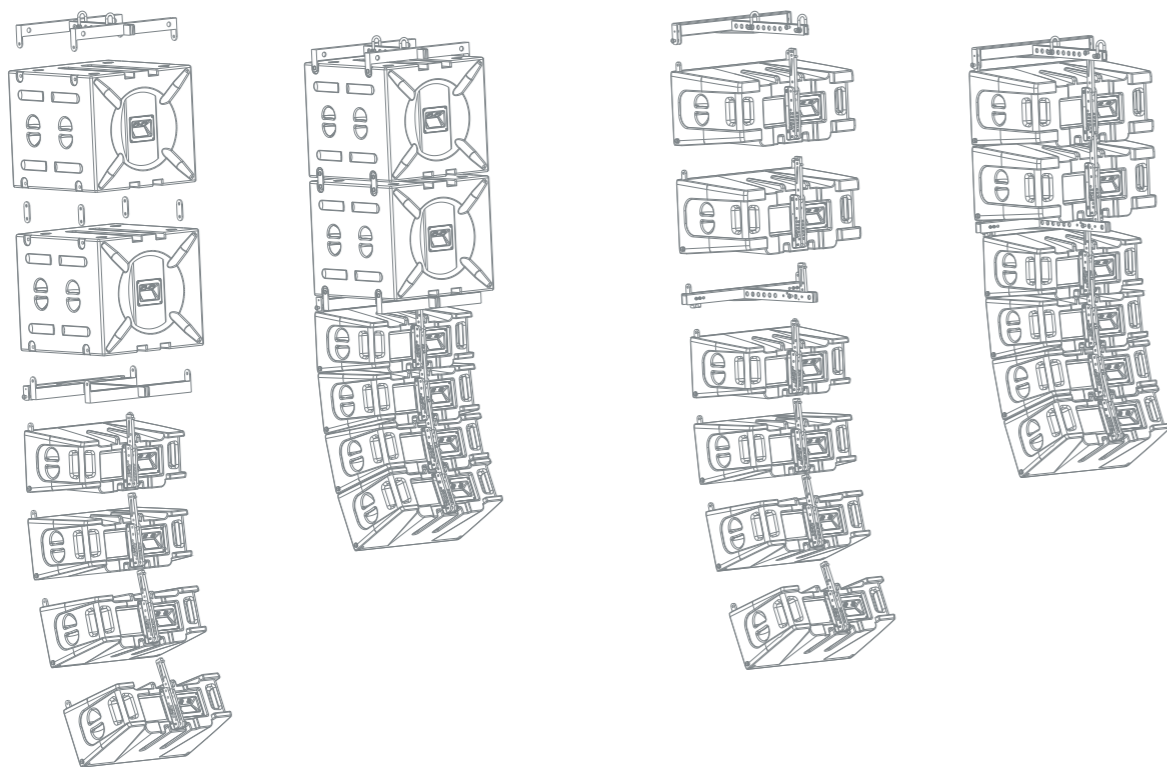


# PLA SERIES

## ALL-WEATHER LINE ARRAY SYSTEM

PLA Series is a group of all-weather line array speaker, designed with priority given to waterproof, dustproof, windproof, anti-uv aging, the unit is specially made and treated, the cabinet is formed by engineering plastic mold with five-layer of different materials composite grille. The product meets the IP66 standard (the fixed angle between front face and horizontal plane  $\leq 90^\circ$ ), stainless steel or aluminum rigging parts, three-point hanging system, to ensure safety.

PLA系列是一组全天候线性阵列音箱，产品设计优先考虑防水、防尘、防风、抗紫外线老化，喇叭单元为特制并经过特殊处理，箱体采用工程塑胶模具成型，五层不同材质复合面网。产品满足IP66标准(辐射面与水平面夹角 $\leq 90^\circ$ )，不锈钢或铝合金机身吊挂件，三点吊挂系统，保证安全。



吊挂示意图  
Hanging Diagram

### FEATURES

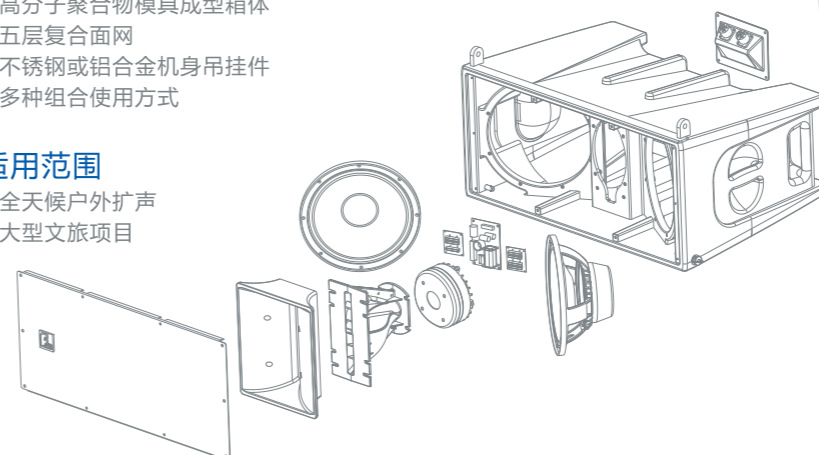
- Product parameters have been entered into EASE loudspeaker database
- Passed IP66 testing
- Polymer mold forming box
- Five-layer of different materials composite grille
- Stainless steel or aluminium rigging parts
- Multiple ways of combination use
- Applications: all-weather outdoor sound reinforcement, large-scale cultural tourism projects

### 产品特征

- 产品参数录入EASE数据库
- 产品防护等级达到并通过IP66标准测试
- 高分子聚合物模具成型箱体
- 五层复合面网
- 不锈钢或铝合金机身吊挂件
- 多种组合使用方式

### 适用范围

- 全天候户外扩声
- 大型文旅项目





# PLA312

1x12" 2-way All-weather Line Array Speaker

DRIVERS	LF: 1×12" /3"voice coil
	HF: 2×1" /1.7"voice coil
RATED POWER	400W RMS,1600W peak

# PLA410

2x10" 3-way All-weather Line Array Speaker

DRIVERS	LF: 2×10" /3"voice coil
	MF: 1×1.4" /3.5"voice coil
	HF: 1×1.4" /1.7"voice coil
RATED POWER	500W RMS,2000W peak

# PLA612

2x12" 3-way Bi-amp All-weather Line Array Speaker

DRIVERS	LF: 2×12" /3"voice coil
	MF: 2×1.4" /3.5"voice coil
	HF: 2×1.4" /1.7"voice coil
RATED POWER	LF: 800W RMS,3200W peak
	MF+HF: 300W RMS,1200W peak

# PLA212B

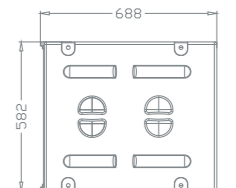
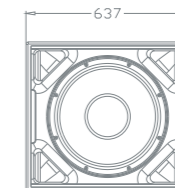
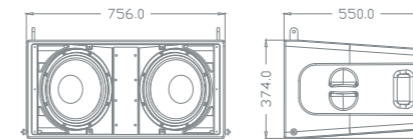
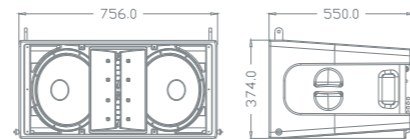
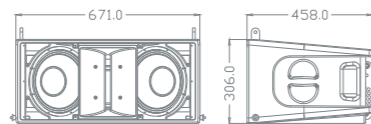
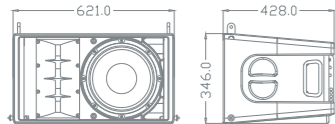
2x12" All-weather Subwoofer

DRIVERS	LF: 2×12" /3"voice coil
RATED POWER	600W RMS,2400W peak

# PLA118B

1x18" All-weather Subwoofer

DRIVERS	LF: 1×18" /4"voice coil
RATED POWER	600W RMS,2400W peak



铝质喷涂面网+滤棉+网布+滤棉+网布  
五层保护、防尘、防水面网  
Aluminum grille with powder spray+foam+mesh  
cloth+foam+mesh cloth, five-layer protection,  
dustproof, waterproof grille

抗紫外线箱体材料  
UV resistant housing material

黄铜预埋螺母  
Brass embedded nut

铝合金喷涂嵌入吊挂件  
Embedded aluminum alloy rigging  
parts with powder spray



铝合金喷涂吊挂件  
Aluminum alloy rigging parts  
with powder spray

不锈钢插销  
Stainless steel pin

铝质喷涂端子板  
Aluminum back panel with  
powder spray

满足IP66标准的插座/插头  
Meet the IP66 standard socket  
and plug

不锈钢喷涂吊架  
Stainless steel rigging frame with  
powder spray

ACCESSORIES  
附件

ACCESSORIES

RIGGING FRAME  
PLA312



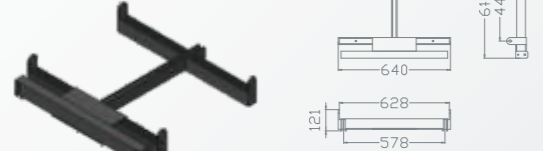
RIGGING FRAME  
PLA212B/PLA612



CONNECT FRAME  
PLA212B+PLA312



CONNECT FRAME  
PLA118B+PLA312



STACKING CONNECT FRAME  
PLA118B+PLA312



RIGGING FRAME  
PLA410



RIGGING FRAME  
PLA118B



CONNECT FRAME  
PLA212B+PLA410



CONNECT FRAME  
PLA118B+PLA410



STACKING CONNECT FRAME  
PLA118B+PLA410



TECHNICAL SPECIFICATIONS  
技术参数

SPECIFICATIONS

MODEL	PLA312	PLA410
FREQUENCY RESPONSE(-3dB)	60Hz-18kHz	70Hz-18kHz
FREQUENCY RESPONSE(-10dB)	55kHz-20kHz	65Hz-20kHz
DRIVERS	1 × 12"/3"voice coil LF 2 × 1"/1.7"voice coil HF	2 × 10"/3"voice coil LF 1 × 1.4" Neo /3.5"voice coil MF 1 × 1.4" Neo/1.7"voice coil HF
RATED POWER	400W RMS,1600W peak	500W RMS,2000W peak
SENSITIVITY	98dB 1watt/1 metre	101dB 1watt/1meter
MAXIMUM SPL	124dB continuous,130 dB peak	128dB continuous,134dB peak
IMPEDANCE	8 ohms nominal	8 ohms nominal
DISPERSION(-6dB)	Horizontal coverage: 100° Vertical coverage: Varies, depending on array length and configuration	Horizontal coverage: 90° Vertical coverage: Varies, depending on array length and configuration
CROSSOVER FREQUENCIES	1.8kHz	700Hz, 6kHz
INPUT CONNECTORS	2 × Speakon NL4	2 × Speakon NL4
PACKAGE SIZE	518mm × 436mm × 720mm	550mm × 396mm × 770mm
NET WEIGHT	21 kg/pc	23 kg/pc
GROSS WEIGHT	25 kg/pc	27 kg/pc

MODEL	PLA612	PLA212B	PLA118B
FREQUENCY RESPONSE(-3dB)	LF: 65Hz-950Hz MF+HF:550Hz-17KHz	55Hz-250Hz	45Hz-250Hz
FREQUENCY RESPONSE(-10dB)	LF: 60Hz-1KHz MF+HF:500Hz-18KHz	50Hz-300Hz	40Hz-300Hz
DRIVERS	2 × 12"/3"voice coil LF 2 × 1.4" Neo /3.5"voice coil MF 2 × 1.4" Neo /1.7"voice coil HF	2 × 12"/3"voice coil LF	1 × 18"/4"voice coil LF
RATED POWER	LF: 800W RMS,3200W peak MF+HF: 300W RMS,1200W peak	600W RMS, 2400W peak	600W RMS, 2400W peak
SENSITIVITY	LF: 101dB 1watt/1meter MF+HF: 110dB 1watt/1meter	98dB 1watt/1meter	99dB 1watt/1meter
MAXIMUM SPL	LF: 130dB continuous,136dB peak MF+HF: 134dB continuous,140dB peak	126dB continuous, 132dB peak	127dB continuous, 133dB peak
IMPEDANCE	LF: 8 ohms nominal MF+HF: 16 ohms nominal	8 ohms nominal	8 ohms nominal
DISPERSION(-6dB)	Horizontal coverage: 90° Vertical coverage: Varies, depending on array length and configuration	--	--
CROSSOVER FREQUENCIES	600Hz Passive, 6KHz Bi-amp	--	--
INPUT CONNECTORS	2 × Speakon NL4	2 × Speakon NL4	2 × Speakon NL4
PACKAGE SIZE	700mm × 524mm × 931mm	700mm × 524mm × 931mm	772mm × 650mm × 615mm
NET WEIGHT	39 kg/pc	33 kg/pc	44 kg/pc
GROSS WEIGHT	46 kg/pc	40 kg/pc	49 kg/pc

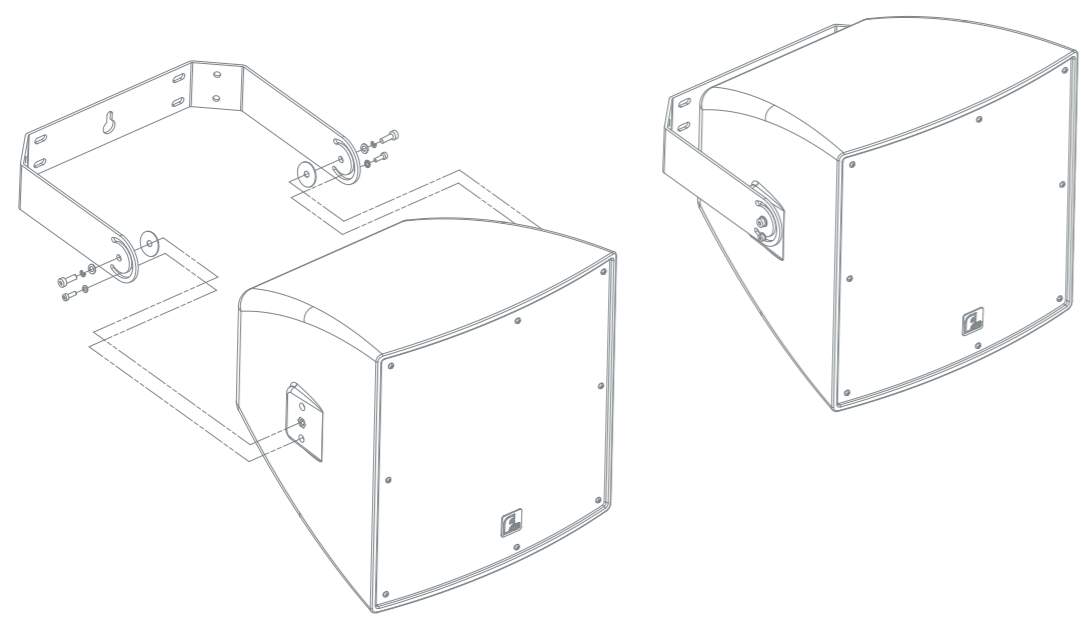


# LT SERIES

## ALL-WEATHER MID-LONG THROW SPEAKER

The LT series is a group of all-weather, coaxial horn-loaded speaker. The product design gives priority to waterproof, dustproof, windproof and anti-UV aging, the unit is specially made and treated, the cabinet is formed by engineering plastic mold with five-layer of different materials composite grille. The product meets the IP56 standard(the fixed angle between front face and horizontal plane  $\leq 90^\circ$ ), the exposed metal parts are sprayed with stainless steel or aluminum, and the mounting bracket is sprayed with stainless steel to meet the all-weather use. The version can be customized to adapt to the marine environment(the mounting bracket is upgraded to 316 stainless steel).The audio transformer and band switch are designed to achieve a variety of different output powers including constant resistance.

LT系列是一组全天候同轴号角负载音箱，产品设计优先考虑防水、防尘、防风、抗紫外线老化，喇叭单元为特制并经过特殊处理，箱体采用工程塑胶模具成型，五层不同材质复合面网。产品满足IP56标准(辐射面与水平面夹角 $\leq 90^\circ$ )，外露金属件采用不锈钢或铝质喷涂，安装支架为不锈钢喷涂满足全天候使用，可以定制适应海洋环境的版本(安装支架升级为316不锈钢)。音频变压器及波段开关配合设计，实现多种不同输出功率包括定阻。



### FEATURES

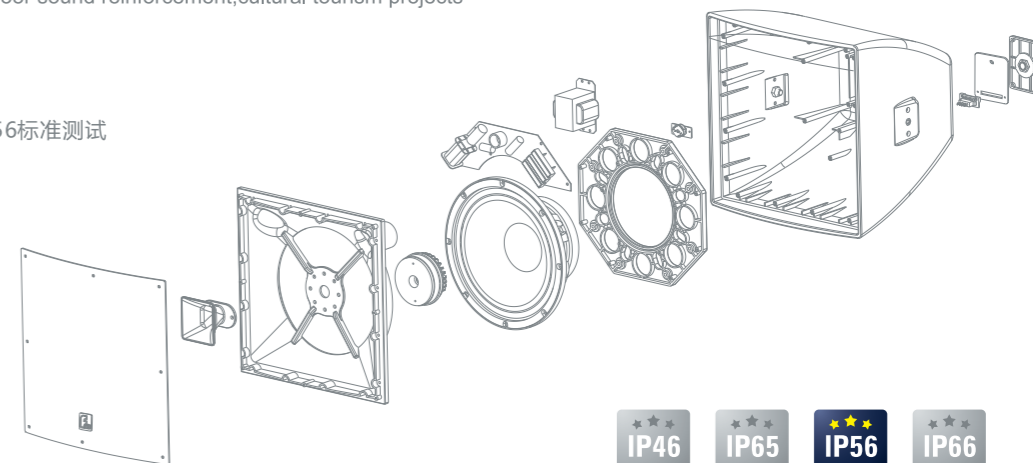
- Product parameters have been entered into EASE loudspeaker database
- Passed IP56 testing
- Polymer mold forming box
- Five-layer of different materials composite grille
- Stainless steel or aluminium rigging parts
- Multiple models to meet outdoor sound reinforcement
- Applications: all-weather outdoor sound reinforcement,cultural tourism projects

### 产品特征

- 产品参数录入EASE数据库
- 产品防护等级达到并通过IP56标准测试
- 高分子聚合物模具成型箱体
- 五层复合面网
- 不锈钢或铝合金机身吊挂件
- 多种型号满足户外扩声

### 适用范围

- 全天候户外扩声
- 文旅项目





### LT206/LT206T

1x6.5" 2-way Coaxial All-weather Speaker

DRIVERS	1 × 6.5" /1.4" voice coil LF
	1 × 1" /1" voice coil HF
POWER	100W RMS,400W peak
	25W/50W/100W/OFF/8Ω 100W

### LT208/LT208T

1x8" 2-way Coaxial All-weather Speaker

DRIVERS	1 × 8" /2" voice coil LF
	1 × 1" /1.4" voice coil HF
POWER	150W RMS,600W peak
	37.5W/75W/150W/OFF/8Ω 150W

### LT212/LT212T

1x12" 2-way Coaxial All-weather Speaker

DRIVERS	1 × 12" /3" voice coil LF
	1 × 1" /1.7" voice coil HF
POWER	300W RMS,1200W peak
	50W/100W/200W/OFF/8Ω 300W

### LT215/LT215T

1x15" 2-way Coaxial All-weather Speaker

DRIVERS	1 × 15" /3" voice coil LF
	1 × 1.4" /3" voice coil HF
POWER	400W RMS,1600W peak
	75W/150W/300W/OFF/8Ω 400W

### LT215L/LT215LT

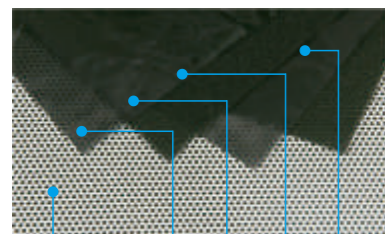
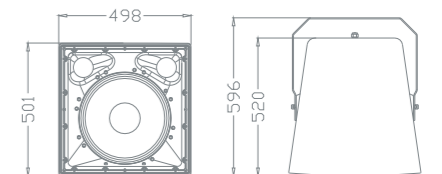
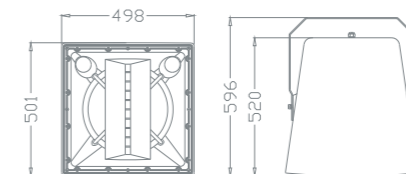
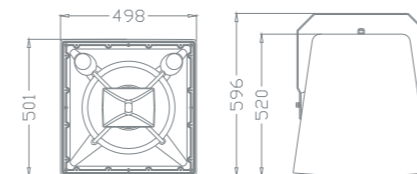
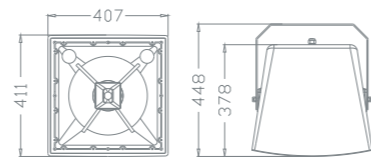
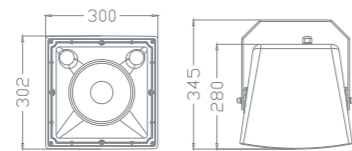
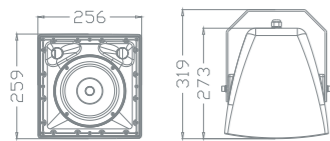
1x15" 2-way Coaxial Coaxial All-weather Line Array Speaker

DRIVERS	1 × 15" /3" voice coil LF
	1 × 1.4" /3" voice coil HF
POWER	400W RMS,1600W peak
	75W/150W/300W/OFF/8Ω 400W

### LT115B/LT115BT

1x15" All-weather Subwoofer

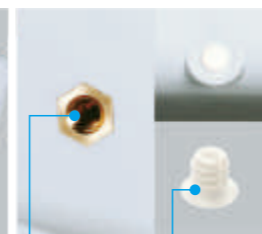
DRIVERS	1 × 15" /3" voice coil LF
POWER	400W RMS,1600W peak
	75W/150W/300W/OFF/8Ω 400W



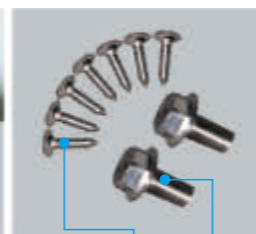
铝质喷涂面网+滤棉+网布+滤棉+网布  
五层保护、防尘、防水面网  
Aluminum grille with powder spray+foam+mesh cloth+foam+mesh cloth, five-layer protection, dustproof, waterproof grille



抗紫外线箱体材料  
UV resistant housing material



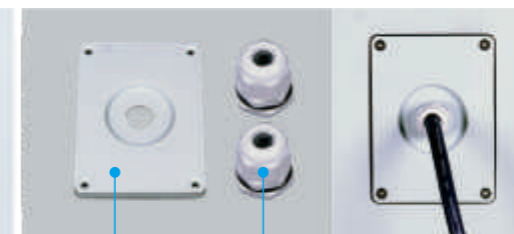
黄铜预埋螺母、防水硅胶盖  
Brass embedded nut, waterproof silicone cover



不锈钢螺丝(锁面网、支架安装)  
Stainless steel screw to fix grille and wall bracket



四位接线端  
4 pins covered barrier strip terminals



防尘防水盖、防尘防水迫紧头  
Dustproof,waterproof back panel cover and connector



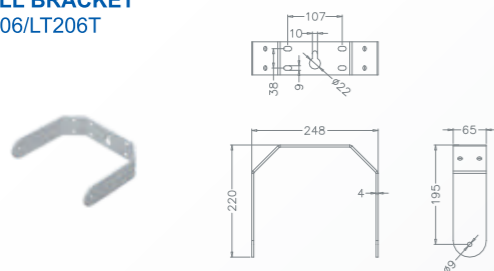
不锈钢喷涂安装支架、不锈钢保险绳  
Stainless steel wall bracket with powder spray, stainless steel safety rope

ACCESSORIES

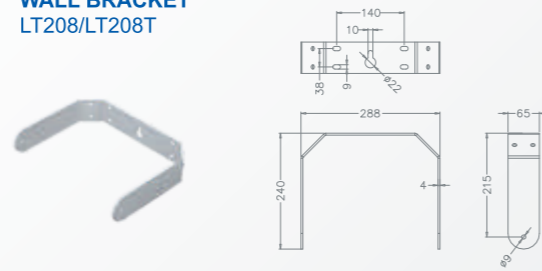
附件

ACCESSORIES

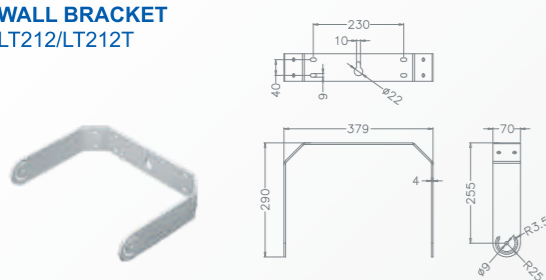
WALL BRACKET  
LT206/LT206T



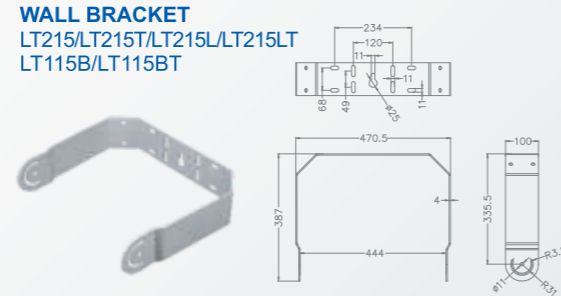
WALL BRACKET  
LT208/LT208T



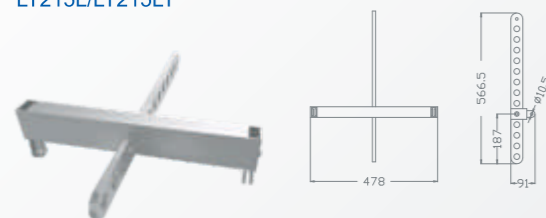
WALL BRACKET  
LT212/LT212T



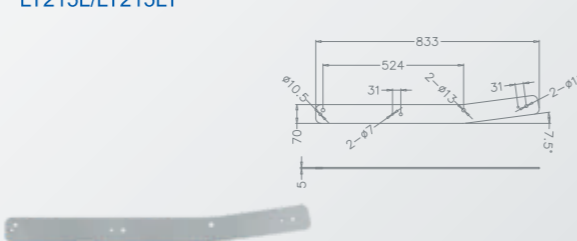
WALL BRACKET  
LT215/LT215T/LT215L/LT215LT  
LT115B/LT115BT



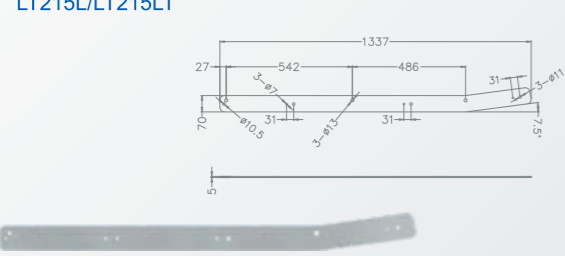
RIGGING FRAME  
LT215L/LT215LT



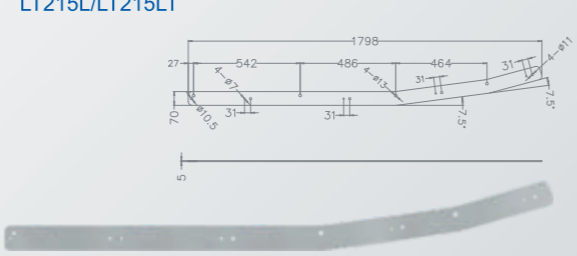
CONNECT BRACKET-2  
LT215L/LT215LT



CONNECT BRACKET-3  
LT215L/LT215LT



CONNECT BRACKET-4  
LT215L/LT215LT



SPECIFICATIONS

MODEL	LT206	LT206T	LT208	LT208T
FREQUENCY RESPONSE(-3dB)	105Hz-17kHz	105Hz-17kHz	80Hz-18kHz	80Hz-18kHz
FREQUENCY RESPONSE(-10dB)	100Hz-18kHz	100Hz-18kHz	75Hz-20kHz	75Hz-20kHz
DRIVERS	1×6.5"/1.4" voice coil LF 1×0.8"/1" voice coil HF	1×6.5"/1.4" voice coil LF 1×0.8"/1" voice coil HF	1×8"/2" voice coil LF 1×1"/1.4" voice coil HF	1×8"/2" voice coil LF 1×1"/1.4" voice coil HF
INPUT VOLTAGE	--	100V	--	100V
RATED POWER	100W RMS,400W peak	25W/50W/100W/OFF/8Ω100W	150W RMS,600W peak	37.5W/75W/150W/OFF/8Ω150W
SENSITIVITY	93dB 1watt/1 metre	93dB 1watt/1 metre	96dB 1watt/1 metre	96dB 1watt/1 metre
MAXIMUM SPL	113dB continuous,119dB peak	113dB continuous,119dB peak	118dB continuous,124dB peak	118dB continuous,124dB peak
IMPEDANCE	8 ohms nominal	8 ohms nominal	8 ohms nominal	8 ohms nominal
DISPERSION(-6dB)	100°×100°	100°×100°	80°×80°	80°×80°
CROSSOVER FREQUENCIES	2.8kHz	2.8kHz	2.5kHz	2.5kHz
INPUT CONNECTORS	covered barrier strip terminals	covered barrier strip terminals	covered barrier strip terminals	covered barrier strip terminals
PACKAGE SIZE	323mm×323mm×293mm	323mm×323mm×293mm	362mm×332mm×335mm	362mm×332mm×335mm
NET WEIGHT	6 kg/pc	7 kg/pc	10 kg/pc	11 kg/pc
GROSS WEIGHT	7.5 kg/pc	8.5 kg/pc	12 kg/pc	13 kg/pc

MODEL	LT212	LT212T	LT215	LT215T
FREQUENCY RESPONSE(-3dB)	55Hz-18kHz	55Hz-18kHz	50Hz-18kHz	50Hz-18kHz
FREQUENCY RESPONSE(-10dB)	50Hz-20kHz	50Hz-20kHz	45Hz-20kHz	45Hz-20kHz
DRIVERS	1×12"/3"voice coil LF 1×1"/1.7"voice coil HF	1×12"/3"voice coil LF 1×1"/1.7"voice coil HF	1×15"/3"voice coil LF 1×1.4"/3"voice coil HF	1×15"/3"voice coil LF 1×1.4"/3"voice coil HF
INPUT VOLTAGE	--	100V	--	100V
RATED POWER	300W RMS,1200W peak	50W/100W/200W/OFF/8Ω300W	400W RMS,1600W peak	75W/150W/300W/OFF/8Ω400W
SENSITIVITY	98dB 1watt/1 metre	98dB 1watt/1 metre	103dB 1watt/1 metre	103dB 1watt/1 metre
MAXIMUM SPL	123dB continuous,129dB peak	123dB continuous,129dB peak	129dB continuous,135dB peak	129dB continuous,135dB peak
IMPEDANCE	8 ohms nominal	8 ohms nominal	8 ohms nominal	8 ohms nominal
DISPERSION(-6dB)	70°×50°	70°×50°	60°×40°	60°×40°
CROSSOVER FREQUENCIES	2.2kHz	2.2kHz	1.5kHz	1.5kHz
INPUT CONNECTORS	covered barrier strip terminals	covered barrier strip terminals	covered barrier strip terminals	covered barrier strip terminals
PACKAGE SIZE	472mm×442mm×460mm	472mm×442mm×460mm	610mm×585mm×570mm	610mm×585mm×570mm
NET WEIGHT	18 kg/pc	20 kg/pc	28.5 kg/pc	31 kg/pc
GROSS WEIGHT	20 kg/pc	22 kg/pc	31.5 kg/pc	34 kg/pc

MODEL	LT215L	LT215LT	LT115B	LT115BT
FREQUENCY RESPONSE(-3dB)	50Hz-18kHz	50Hz-18kHz	50Hz-250Hz	50Hz-250Hz
FREQUENCY RESPONSE(-10dB)	45Hz-20kHz	45Hz-20kHz	45Hz-300Hz	45Hz-300Hz
DRIVERS	1×15"/3"voice coil LF 1×1.4"/3"voice coil HF	1×15"/3"voice coil LF 1×1.4"/3"voice coil HF	1×15"/3"voice coil LF --	1×15"/3"voice coil LF --
INPUT VOLTAGE	--	100V	--	100V
RATED POWER	400W RMS,1600W peak	75W/150W/300W/OFF/8Ω400W	400W RMS,1600W peak	75W/150W/300W/OFF/8Ω400W
SENSITIVITY	103dB 1watt/1 metre	103dB 1watt/1 metre	98dB 1watt/1 metre	98dB 1watt/1 metre
MAXIMUM SPL	129dB continuous,135dB peak	129dB continuous,135dB peak	124dB continuous,130dB peak	124dB continuous,130dB peak
IMPEDANCE	8 ohms nominal	8 ohms nominal	8 ohms nominal	8 ohms nominal
DISPERSION(-6dB)	60°×25°	60°×25°	--	--
CROSSOVER FREQUENCIES	1.5kHz	1.5kHz	--	--
INPUT CONNECTORS	covered barrier strip terminals	covered barrier strip terminals	covered barrier strip terminals	covered barrier strip terminals
PACKAGE SIZE	610mm×585mm×570mm	610mm×585mm×570mm	610mm×585mm×570mm	610mm×585mm×570mm
NET WEIGHT	29 kg/pc	31.5 kg/pc	22 kg/pc	24.5 kg/pc
GROSS WEIGHT	32 kg/pc	34.5 kg/pc	25 kg/pc	27.5 kg/pc

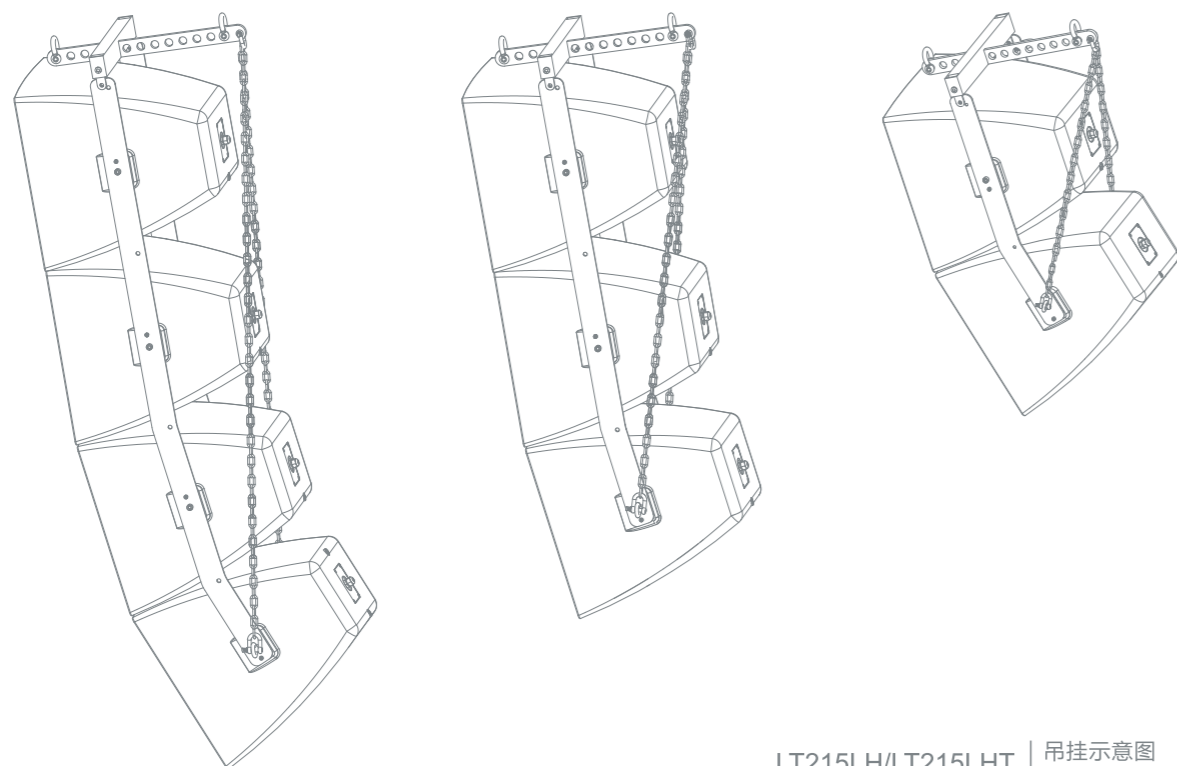


# LT-H SERIES

## ALL-WEATHER MID-LONG THROW SPEAKER

The LT-H series is a group of all-weather, coaxial horn-loaded speaker. The product design gives priority to waterproof, dustproof, winproof and anti-UV aging, the unit is specially made and treated,the cabinet is formed by engineering plastic mold with five-layer of different materials composite grille. The product meets the IP56 standard(the fixed angle between front face and horizontal plane  $\leq 90^\circ$ ), the exposed metal parts are sprayed with stainless steel or aluminum, and the mounting bracket is sprayed with stainless steel to meet the all-weather use.The version can be customized to adapt to the marine environment(the mounting bracket is upgraded to 316 stainless steel).The audio transformer and band switch are designed to achieve a variety of different output powers including constant resistance.

LT-H系列是一组全天候同轴号角负载音箱，产品设计优先考虑防水、防尘、防风、抗紫外线老化，喇叭单元为特制并经过特殊处理，箱体采用工程塑胶模具成型，五层不同材质复合面网。产品满足IP56标准(辐射面与水平面夹角 $\leq 90^\circ$ )，外露金属件采用不锈钢或铝质喷涂，安装支架为不锈钢喷涂满足全天候使用，可以定制适应海洋环境的版本(安装支架升级为316不锈钢)。音频变压器及波段开关配合设计，实现多种不同输出功率包括定阻。



LT215LH/LT215LHT | 吊挂示意图  
Hanging Diagram



### FEATURES

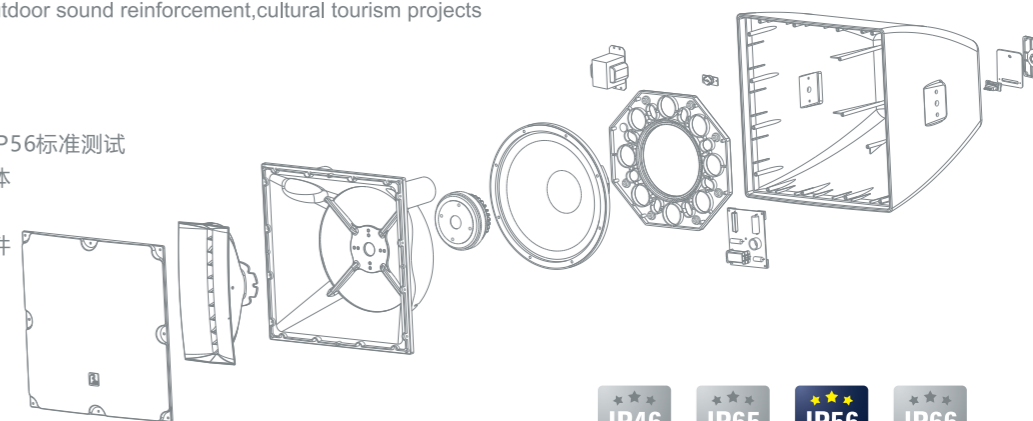
- Product parameters have been entered into EASE loudspeaker database
- Passed IP56 testing
- Polymer mold forming box
- Five-layer of different materials composite grille
- Stainless steel or aluminium rigging parts
- Multiple models to meet outdoor sound reinforcement
- Applications: all-weather outdoor sound reinforcement,cultural tourism projects

### 产品特征

- 产品参数录入EASE数据库
- 产品防护等级达到并通过IP56标准测试
- 高分子聚合物模具成型箱体
- 五层复合面网
- 不锈钢或铝合金机身吊挂件
- 多种型号满足户外扩声

### 适用范围

- 全天候户外扩声
- 文旅项目





### LT206H/LT206HT

1x6.5" 2-way Coaxial All-weather Speaker

DRIVERS	1 × 6.5" /1.4" voice coil LF
	1 × 1" /1" voice coil HF
POWER	100W RMS,400W peak
	25W/50W/100W/OFF/8Ω 100W

### LT208H/LT208HT

1x8" 2-way Coaxial All-weather Speaker

DRIVERS	1 × 8" /2" voice coil LF
	1 × 1" /1.4" voice coil HF
POWER	150W RMS,600W peak
	37.5W/75W/150W/OFF/8Ω 150W

### LT212H/LT212HT

1x12" 2-way Coaxial All-weather Speaker

DRIVERS	1 × 12" /3" voice coil LF
	1 × 1" /1.7" voice coil HF
POWER	300W RMS,1200W peak
	50W/100W/200W/OFF/8Ω 300W

### LT215H/LT215HT

1x15" 2-way Coaxial All-weather Speaker

DRIVERS	1 × 15" /3" voice coil LF
	1 × 1.4" /3" voice coil HF
POWER	400W RMS,1600W peak
	75W/150W/300W/OFF/8Ω 400W

### LT215LH/LT215LHT

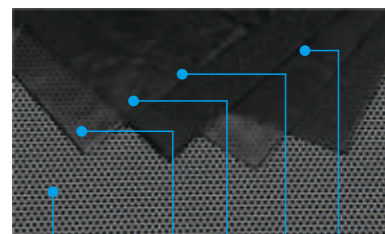
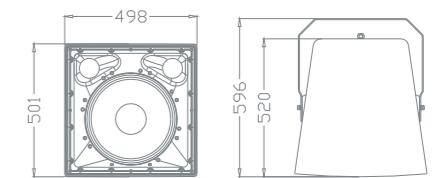
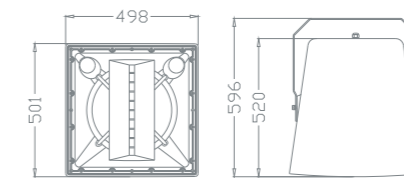
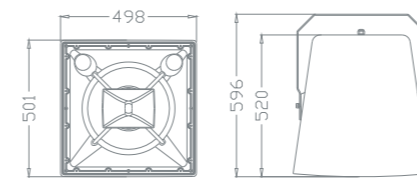
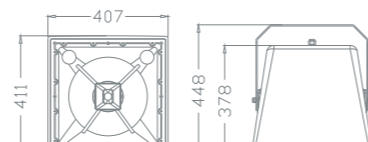
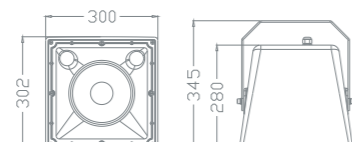
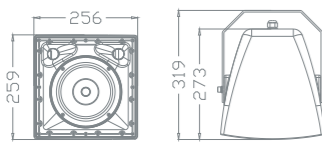
1x15" 2-way Coaxial Coaxial All-weather Line Array Speaker

DRIVERS	1 × 15" /3" voice coil LF
	1 × 1.4" /3" voice coil HF
POWER	400W RMS,1600W peak
	75W/150W/300W/OFF/8Ω 400W

### LT115BH/LT115BHT

1x15" All-weather Subwoofer

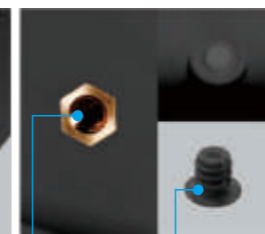
DRIVERS	1 × 15" /3" voice coil LF
POWER	400W RMS,1600W peak
	75W/150W/300W/OFF/8Ω 400W



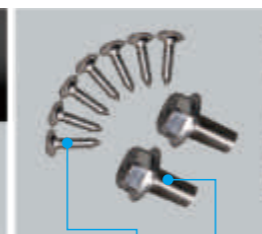
铝质喷涂面网+滤棉+网布+滤棉+网布五层保护、防尘、防水面网  
Aluminum grille with powder spray+foam+mesh cloth+foam+mesh cloth, five-layer protection, dustproof, waterproof grille



抗紫外线箱体材料  
UV resistant housing material



黄铜预埋螺母、防水硅胶盖  
Brass embedded nut, waterproof silicone cover



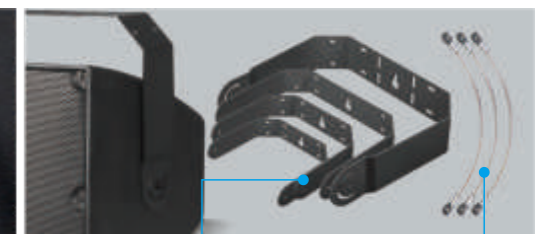
不锈钢螺丝(锁面网、支架安装)  
Stainless steel screw to fix grille and wall bracket



四位接线端  
4 pins covered barrier strip terminals



防尘防水盖、防尘防水迫紧头  
Dustproof,waterproof back panel cover and connector



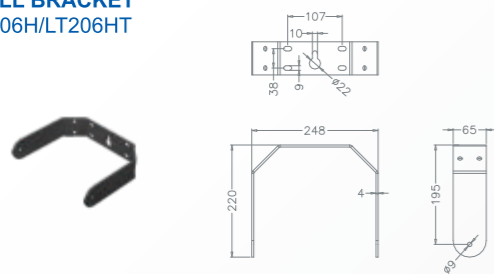
不锈钢喷涂安装支架、不锈钢保险绳  
Stainless steel wall bracket with powder spray, stainless steel safety rope

ACCESSORIES

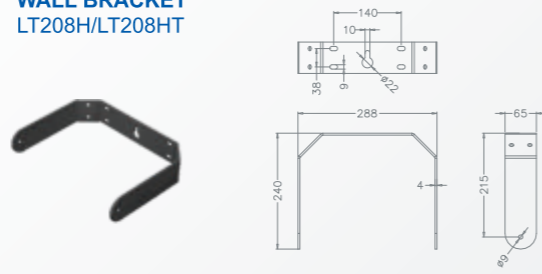
附件

ACCESSORIES

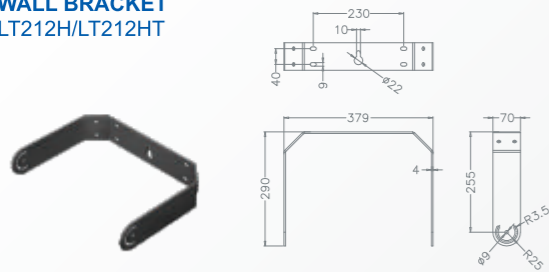
WALL BRACKET  
LT206H/LT206HT



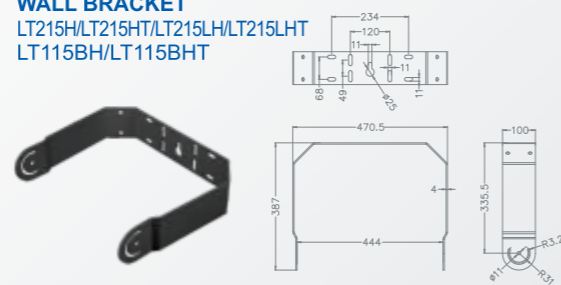
WALL BRACKET  
LT208H/LT208HT



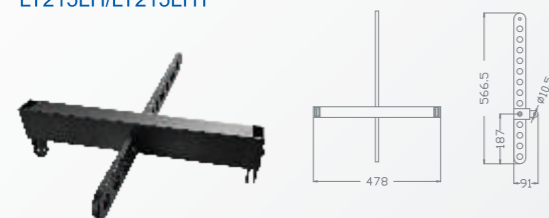
WALL BRACKET  
LT212H/LT212HT



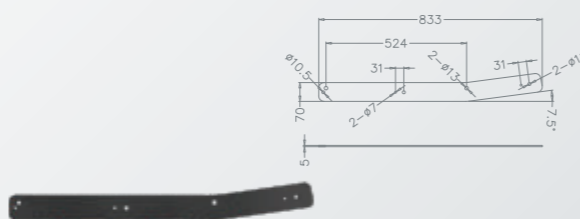
WALL BRACKET  
LT215H/LT215HT/LT215LH/LT215LHT  
LT115BH/LT115BHT



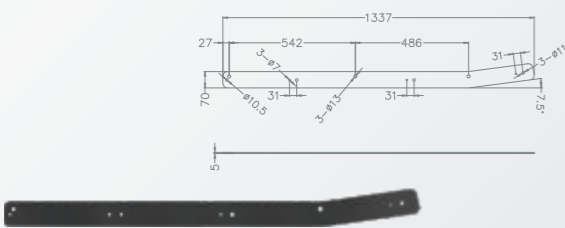
RIGGING FRAME  
LT215LH/LT215LHT



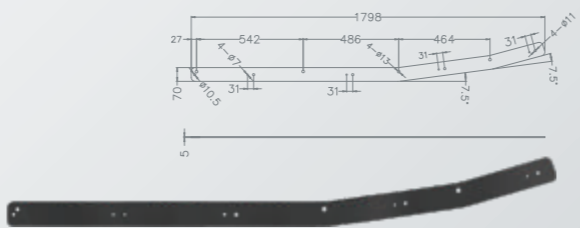
CONNECT BRACKET-2  
LT215LH/LT215LHT



CONNECT BRACKET-3  
LT215LH/LT215LHT



CONNECT BRACKET-4  
LT215LH/LT215LHT



SPECIFICATIONS

MODEL	LT206H	LT206HT	LT208H	LT208HT
FREQUENCY RESPONSE(-3dB)	105Hz-17kHz	105Hz-17kHz	80Hz-18kHz	80Hz-18kHz
FREQUENCY RESPONSE(-10dB)	100Hz-18kHz	100Hz-18kHz	75Hz-20kHz	75Hz-20kHz
DRIVERS	1×6.5"/1.4" voice coil LF 1×0.8"/1" voice coil HF	1×6.5"/1.4" voice coil LF 1×0.8"/1" voice coil HF	1×8"/2" voice coil LF 1×1"/1.4" voice coil HF	1×8"/2" voice coil LF 1×1"/1.4" voice coil HF
INPUT VOLTAGE	--	100V	--	100V
RATED POWER	100W RMS,400W peak	25W/50W/100W/OFF/8Ω100W	150W RMS,600W peak	37.5W/75W/150W/OFF/8Ω150W
SENSITIVITY	93dB 1watt/1 metre	93dB 1watt/1 metre	96dB 1watt/1 metre	96dB 1watt/1 metre
MAXIMUM SPL	113dB continuous,119dB peak	113dB continuous,119dB peak	118dB continuous,124dB peak	118dB continuous,124dB peak
IMPEDANCE	8 ohms nominal	8 ohms nominal	8 ohms nominal	8 ohms nominal
DISPERSION(-6dB)	100°×100°	100°×100°	80°×80°	80°×80°
CROSSOVER FREQUENCIES	2.8kHz	2.8kHz	2.5kHz	2.5kHz
INPUT CONNECTORS	covered barrier strip terminals	covered barrier strip terminals	covered barrier strip terminals	covered barrier strip terminals
PACKAGE SIZE	323mm×323mm×293mm	323mm×323mm×293mm	362mm×332mm×335mm	362mm×332mm×335mm
NET WEIGHT	6 kg/pc	7 kg/pc	10 kg/pc	11 kg/pc
GROSS WEIGHT	7.5 kg/pc	8.5 kg/pc	12 kg/pc	13 kg/pc

MODEL	LT212H	LT212HT	LT215H	LT215HT
FREQUENCY RESPONSE(-3dB)	55Hz-18kHz	55Hz-18kHz	50Hz-18kHz	50Hz-18kHz
FREQUENCY RESPONSE(-10dB)	50Hz-20kHz	50Hz-20kHz	45Hz-20kHz	45Hz-20kHz
DRIVERS	1×12"/3"voice coil LF 1×1"/1.7"voice coil HF	1×12"/3"voice coil LF 1×1"/1.7"voice coil HF	1×15"/3"voice coil LF 1×1.4"/3"voice coil HF	1×15"/3"voice coil LF 1×1.4"/3"voice coil HF
INPUT VOLTAGE	--	100V	--	100V
RATED POWER	300W RMS,1200W peak	50W/100W/200W/OFF/8Ω300W	400W RMS,1600W peak	75W/150W/300W/OFF/8Ω400W
SENSITIVITY	98dB 1watt/1 metre	98dB 1watt/1 metre	103dB 1watt/1 metre	103dB 1watt/1 metre
MAXIMUM SPL	123dB continuous,129dB peak	123dB continuous,129dB peak	129dB continuous,135dB peak	129dB continuous,135dB peak
IMPEDANCE	8 ohms nominal	8 ohms nominal	8 ohms nominal	8 ohms nominal
DISPERSION(-6dB)	70°×50°	70°×50°	60°×40°	60°×40°
CROSSOVER FREQUENCIES	2.2kHz	2.2kHz	1.5kHz	1.5kHz
INPUT CONNECTORS	covered barrier strip terminals	covered barrier strip terminals	covered barrier strip terminals	covered barrier strip terminals
PACKAGE SIZE	472mm×442mm×460mm	472mm×442mm×460mm	610mm×585mm×570mm	610mm×585mm×570mm
NET WEIGHT	18 kg/pc	20 kg/pc	28.5 kg/pc	31 kg/pc
GROSS WEIGHT	20 kg/pc	22 kg/pc	31.5 kg/pc	34 kg/pc

MODEL	LT215LH	LT215LHT	LT115BH	LT115BHT
FREQUENCY RESPONSE(-3dB)	50Hz-18kHz	50Hz-18kHz	50Hz-250Hz	50Hz-250Hz
FREQUENCY RESPONSE(-10dB)	45Hz-20kHz	45Hz-20kHz	45Hz-300Hz	45Hz-300Hz
DRIVERS	1×15"/3"voice coil LF 1×1.4"/3"voice coil HF	1×15"/3"voice coil LF 1×1.4"/3"voice coil HF	1×15"/3"voice coil LF --	1×15"/3"voice coil LF --
INPUT VOLTAGE	--	100V	--	100V
RATED POWER	400W RMS,1600W peak	75W/150W/300W/OFF/8Ω400W	400W RMS,1600W peak	75W/150W/300W/OFF/8Ω400W
SENSITIVITY	103dB 1watt/1 metre	103dB 1watt/1 metre	98dB 1watt/1 metre	98dB 1watt/1 metre
MAXIMUM SPL	129dB continuous,135dB peak	129dB continuous,135dB peak	124dB continuous,130dB peak	124dB continuous,130dB peak
IMPEDANCE	8 ohms nominal	8 ohms nominal	8 ohms nominal	8 ohms nominal
DISPERSION(-6dB)	60°×25°	60°×25°	--	--
CROSSOVER FREQUENCIES	1.5kHz	1.5kHz	--	--
INPUT CONNECTORS	covered barrier strip terminals	covered barrier strip terminals	covered barrier strip terminals	covered barrier strip terminals
PACKAGE SIZE	610mm×585mm×570mm	610mm×585mm×570mm	610mm×585mm×570mm	610mm×585mm×570mm
NET WEIGHT	29 kg/pc	31.5 kg/pc	22 kg/pc	24.5 kg/pc
GROSS WEIGHT	32 kg/pc	34.5 kg/pc	25 kg/pc	27.5 kg/pc

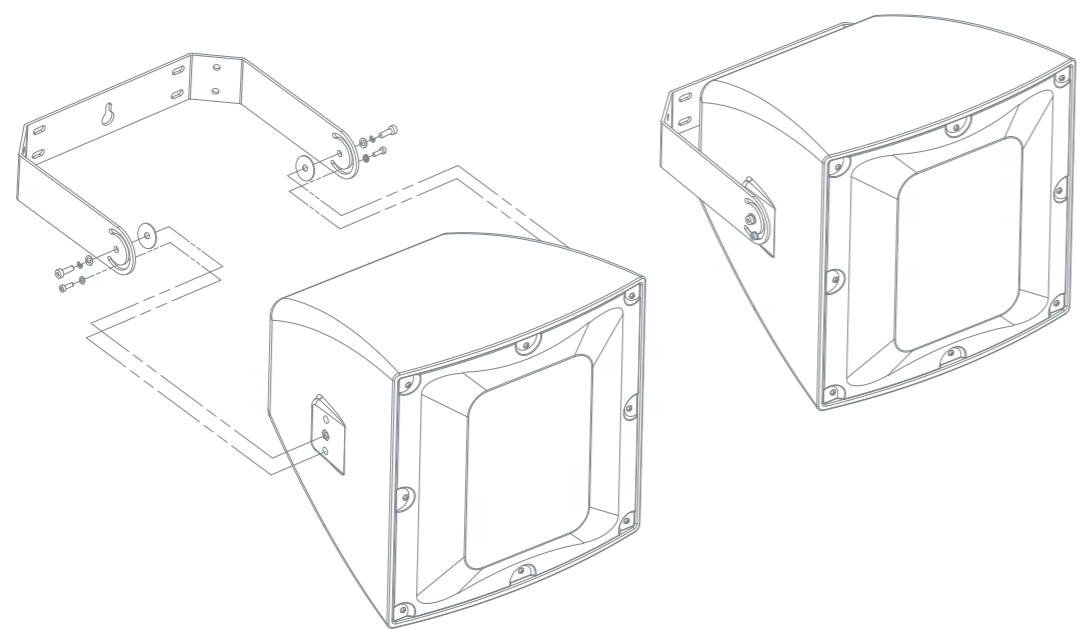


# LT-P SERIES

## ALL-WEATHER MID-LONG THROW SPEAKER

The LT-P series is a group of all-weather, coaxial speaker. The product design gives priority to waterproof, dustproof, windproof and anti-UV aging, the unit is specially made and treated, the cabinet is formed by engineering plastic mold with five-layer of different materials composite grille. The product meets the IP56 standard (the fixed angle between front face and horizontal plane  $\leq 90^\circ$ ), the exposed metal parts are sprayed with stainless steel or aluminum, and the mounting bracket is sprayed with stainless steel to meet the all-weather use. The version can be customized to adapt to the marine environment (the mounting bracket is upgraded to 316 stainless steel). The audio transformer and band switch are designed to achieve a variety of different output powers including constant resistance.

LT-P系列是一组全天候同轴号角负载音箱，产品设计优先考虑防水、防尘、防风、抗紫外线老化，喇叭单元为特制并经过特殊处理，箱体采用工程塑胶模具成型，五层不同材质复合面网。产品满足IP56标准(辐射面与水平面夹角 $\leq 90^\circ$ )，外露金属件采用不锈钢或铝质喷涂，安装支架为不锈钢喷涂满足全天候使用，可以定制适应海洋环境的版本(安装支架升级为316不锈钢)。音频变压器及波段开关配合设计，实现多种不同输出功率包括定阻。



### FEATURES

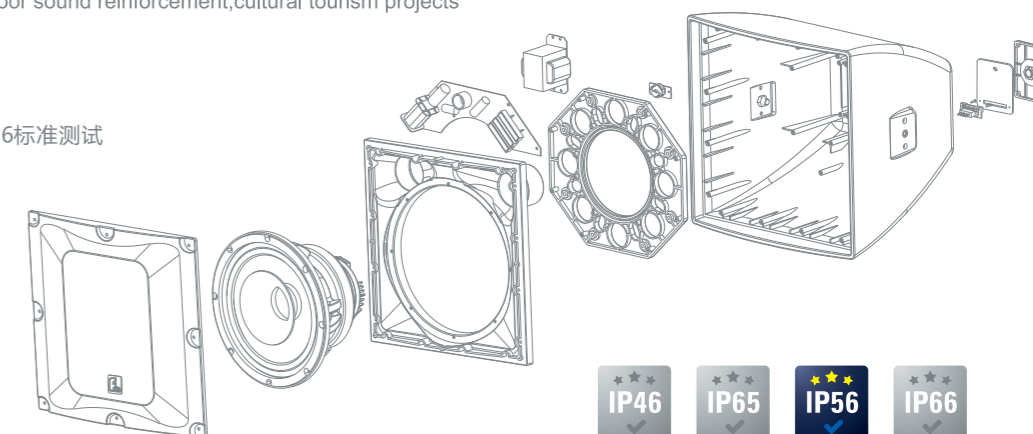
- Product parameters have been entered into EASE loudspeaker database
- Passed IP56 testing
- Polymer mold forming box
- Five-layer of different materials composite grille
- Stainless steel or aluminium rigging parts
- Multiple models to meet outdoor sound reinforcement
- Applications: all-weather outdoor sound reinforcement, cultural tourism projects

### 产品特点

- 产品参数录入EASE数据库
- 产品防护等级达到并通过IP56标准测试
- 高分子聚合物模具成型箱体
- 五层复合面网
- 不锈钢或铝合金机身吊挂件
- 多种型号满足户外扩声

### 适用范围

- 全天候户外扩声
- 文旅项目





### LT206P/LT206PT

1x6.5" 2-way Coaxial All-weather Speaker

DRIVERS	1 × 6.5" /1.4" voice coil LF
	1 × 1" /1" voice coil HF
POWER	100W RMS,400W peak
	25W/50W/100W/OFF/8Ω 100W

### LT208P/LT208PT

1x8" 2-way Coaxial All-weather Speaker

DRIVERS	1 × 8" /2" voice coil LF
	1 × 1" /1.4" voice coil HF
POWER	150W RMS,600W peak
	37.5W/75W/150W/OFF/8Ω 150W

### LT212P/LT212PT

1x12" 2-way Coaxial All-weather Speaker

DRIVERS	1 × 12" /3" voice coil LF
	1 × 1" /1.7" voice coil HF
POWER	300W RMS,1200W peak
	50W/100W/200W/OFF/8Ω 300W

### LT215P/LT215PT

1x15" 2-way Coaxial All-weather Speaker

DRIVERS	1 × 15" /3" voice coil LF
	1 × 1.4" /3" voice coil HF
POWER	400W RMS,1600W peak
	75W/150W/300W/OFF/8Ω 400W

### LT215LP/LT215LPT

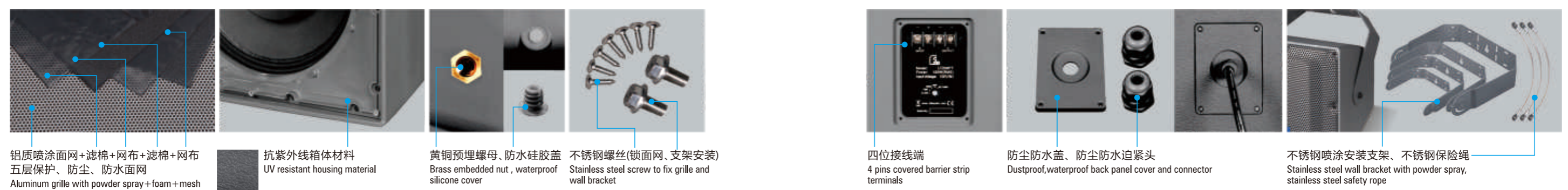
1x15" 2-way Coaxial Coaxial All-weather Line Array Speaker

DRIVERS	1 × 15" /3" voice coil LF
	1 × 1.4" /3" voice coil HF
POWER	400W RMS,1600W peak
	75W/150W/300W/OFF/8Ω 400W

### LT115BP/LT115BPT

1x15" All-weather Subwoofer

DRIVERS	1 × 15" /3" voice coil LF
POWER	400W RMS,1600W peak
	75W/150W/300W/OFF/8Ω 400W



铝质喷涂面网+滤棉+网布+滤棉+网布  
五层保护、防尘、防水面网  
Aluminum grille with powder spray+foam+mesh  
cloth+foam+mesh cloth, five-layer protection,  
dustproof, waterproof grille

抗紫外线箱体材料  
UV resistant housing material

黄铜预埋螺母、防水硅胶盖  
Brass embedded nut, waterproof  
silicone cover

不锈钢螺丝(锁面网、支架安装)  
Stainless steel screw to fix grille and  
wall bracket

四位接线端  
4 pins covered barrier strip  
terminals

防尘防水盖、防尘防水迫紧头  
Dustproof,waterproof back panel cover and connector

不锈钢喷涂安装支架、不锈钢保险绳  
Stainless steel wall bracket with powder spray,  
stainless steel safety rope

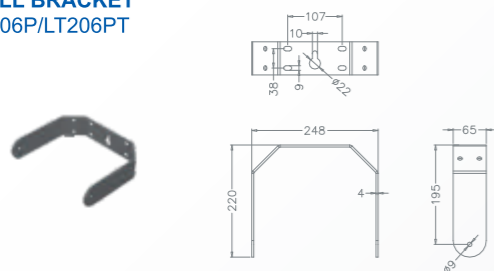


ACCESSORIES

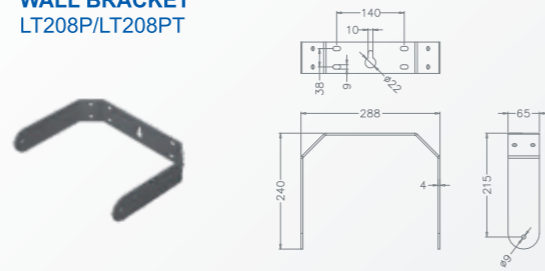
附件

ACCESSORIES

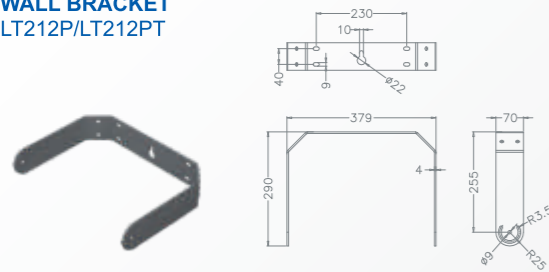
WALL BRACKET  
LT206P/LT206PT



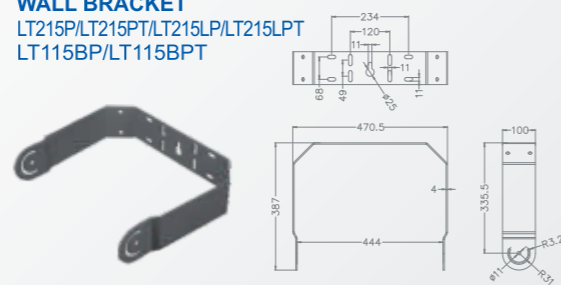
WALL BRACKET  
LT208P/LT208PT



WALL BRACKET  
LT212P/LT212PT



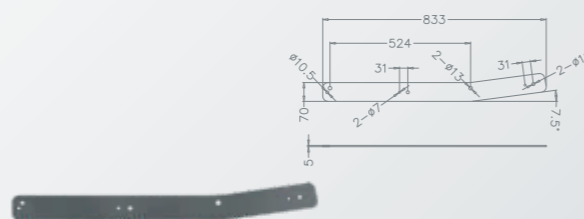
WALL BRACKET  
LT215P/LT215PT/LT215LP/LT215LPT  
LT115BP/LT115BPT



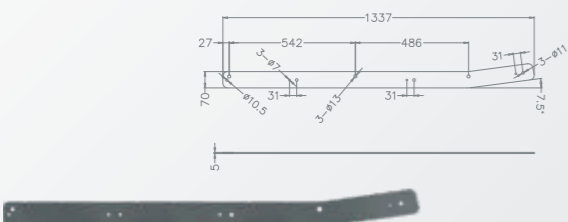
RIGGING FRAME  
LT215LP/LT215LPT



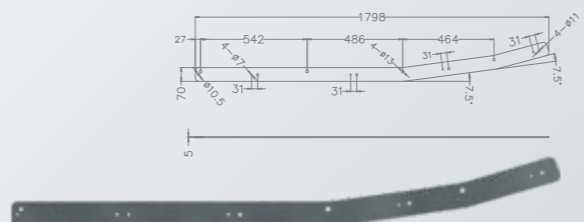
CONNECT BRACKET-2  
LT215LP/LT215LPT



CONNECT BRACKET-3  
LT215LP/LT215LPT



CONNECT BRACKET-4  
LT215LP/LT215LPT



SPECIFICATIONS

MODEL	LT206P	LT206PT	LT208P	LT208PT
FREQUENCY RESPONSE(-3dB)	105Hz-17kHz	105Hz-17kHz	80Hz-18kHz	80Hz-18kHz
FREQUENCY RESPONSE(-10dB)	100Hz-18kHz	100Hz-18kHz	75Hz-20kHz	75Hz-20kHz
DRIVERS	1×6.5"/1.4" voice coil 1×0.8"/1" voice coil	1×6.5"/1.4" voice coil 1×0.8"/1" voice coil	1×8"/2" voice coil 1×1"/1.4" voice coil	1×8"/2" voice coil 1×1"/1.4" voice coil
INPUT VOLTAGE	--	100V	--	100V
RATED POWER	100W RMS,400W peak	25W/50W/100W/OFF/8Ω 100W	150W RMS,600W peak	37.5W/75W/150W/OFF/8Ω 150W
SENSITIVITY	93dB	93dB	95dB	95dB
MAXIMUM SPL	113dB continuous,119dB peak	113dB continuous,119dB peak	117dB continuous,123dB peak	117dB continuous,123dB peak
IMPEDANCE	8 ohms	8 ohms	8 ohms	8 ohms
DISPERSION(-6dB)	100°×100°	100°×100°	90°×90°	90°×90°
CROSSOVER FREQUENCIES	2.8kHz	2.8kHz	2.3kHz	2.3kHz
INPUT CONNECTORS	covered barrier strip terminals	covered barrier strip terminals	covered barrier strip terminals	covered barrier strip terminals
PACKAGE SIZE	323×323×293 mm	323×323×293 mm	362×332×335 mm	362×332×335 mm
NET WEIGHT	6 kg/pc	7 kg/pc	10 kg/pc	11 kg/pc
GROSS WEIGHT	7.5 kg/pc	8.5 kg/pc	12 kg/pc	13 kg/pc

MODEL	LT212P	LT212PT	LT215P	LT215PT
FREQUENCY RESPONSE(-3dB)	55Hz-18kHz	55Hz-18kHz	50Hz-18kHz	50Hz-18kHz
FREQUENCY RESPONSE(-10dB)	50Hz-20kHz	50Hz-20kHz	45Hz-20kHz	45Hz-20kHz
DRIVERS	1×12"/3"voice coil 1×1"/1.7"voice coil	1×12"/3"voice coil 1×1"/1.7"voice coil	1×15"/3"voice coil 1×1"/1.7"voice coil	1×15"/3"voice coil 1×1"/1.7"voice coil
INPUT VOLTAGE	--	100V	--	100V
RATED POWER	300W RMS,1200W peak	50W/100W/200W/OFF/8Ω 300W	400W RMS,1600W peak	75W/150W/300W/OFF/8Ω 400W
SENSITIVITY	97dB	97dB	102dB	102dB
MAXIMUM SPL	122dB continuous,128dB peak	122dB continuous,128dB peak	128dB continuous,134dB peak	128dB continuous,134dB peak
IMPEDANCE	8 ohms	8 ohms	8 ohms	8 ohms
DISPERSION(-6dB)	80°×80°	80°×80°	80°×80°	80°×80°
CROSSOVER FREQUENCIES	2kHz	2kHz	2.1kHz	2.1kHz
INPUT CONNECTORS	covered barrier strip terminals	covered barrier strip terminals	covered barrier strip terminals	covered barrier strip terminals
PACKAGE SIZE	472×442×460 mm	472×442×460 mm	610×585×570 mm	610×585×570 mm
NET WEIGHT	18 kg/pc	20 kg/pc	25 kg/pc	27.5 kg/pc
GROSS WEIGHT	20 kg/pc	22 kg/pc	28 kg/pc	30.5 kg/pc

MODEL	LT215LP	LT215LPT	LT115BP	LT115BPT
FREQUENCY RESPONSE(-3dB)	50Hz-18kHz	50Hz-18kHz	50Hz-250Hz	50Hz-250Hz
FREQUENCY RESPONSE(-10dB)	45Hz-20kHz	45Hz-20kHz	45Hz-300Hz	45Hz-300Hz
DRIVERS	1×15"/3"voice coil 1×1.4"/3"voice coil	1×15"/3"voice coil 1×1.4"/3"voice coil	1×15"/3"voice coil --	1×15"/3"voice coil --
INPUT VOLTAGE	--	100V	--	100V
RATED POWER	400W RMS,1600W peak	75W/150W/300W/OFF/8Ω 400W	400W RMS,1600W peak	75W/150W/300W/OFF/8Ω 400W
SENSITIVITY	103dB	103dB	98dB	98dB
MAXIMUM SPL	129dB continuous,135dB peak	129dB continuous,135dB peak	124dB continuous,130dB peak	124dB continuous,130dB peak
IMPEDANCE	8 ohms	8 ohms	8 ohms	8 ohms
DISPERSION(-6dB)	60°×25°	60°×25°	--	--
CROSSOVER FREQUENCIES	1.5kHz	1.5kHz	--	--
INPUT CONNECTORS	covered barrier strip terminals	covered barrier strip terminals	covered barrier strip terminals	covered barrier strip terminals
PACKAGE SIZE	610×585×570 mm	610×585×570 mm	610×585×570 mm	610×585×570 mm
NET WEIGHT	29 kg/pc	31.5 kg/pc	22 kg/pc	24.5 kg/pc
GROSS WEIGHT	32 kg/pc	34.5 kg/pc	25 kg/pc	27.5 kg/pc

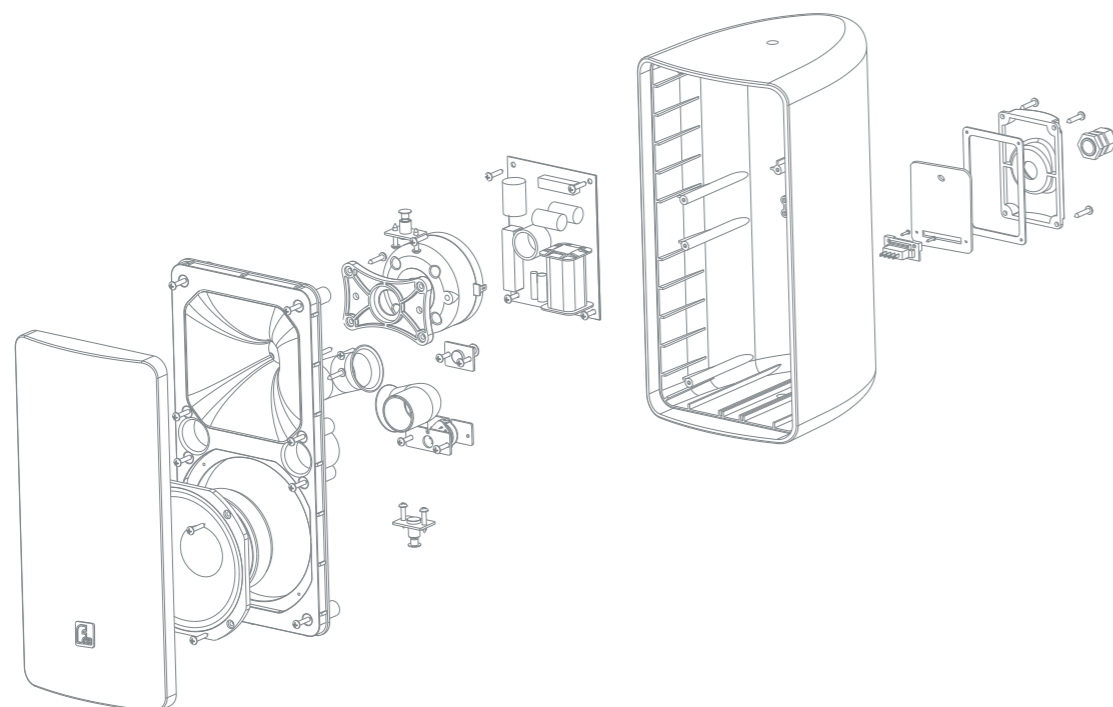


# ES SERIES

## ALL-WEATHER MULTI-PURPOSE ENGINEERING SPEAKER

ES series is a group of two-way all-weather speakers with different colors and functions. With waterproof, dustproof, windproof, anti-uv aging, specially designed dustproof and waterproof cover for input and output, has a pressing device, multi-layer different functional grille. The cabinet meets the IP46 and IP65 standard (the fixed angle between front face and horizontal plane $\leq 90^\circ$ ). The exposed metal parts are made of stainless steel or aluminum, and the mounting bracket is sprayed with stainless steel, which can meet all-weather use (the version suitable for the marine environment can be customized, and the mounting bracket is upgraded to 316 stainless steel). the cabinet is made of polymer compound injection molding. B and W after the model represent black and white, T represents the configuration of transformer and band switch, to achieve a variety of different output powers including constant resistance.

ES系列型号是一组两分音不同颜色及功能的全天候系列音箱。具有防水、防尘、防风、抗紫外线老化、输入输出用专门设计的防尘防水盖板，并有迫紧装置，多层不同功能面网。产品满足IP46和IP65标准(辐射面与水平面夹角 $\leq 90^\circ$ )，外露金属件采用不锈钢或铝质喷涂，安装支架为不锈钢喷涂，满足全天候使用(可以定制适应海洋环境的版本，安装支架升级为316不锈钢)，箱体采用高分子化合物射出成型。型号后的B、W分别代表黑色和白色，T表示配置音频变压器及波段开关，实现多种不同输出功率包括定阻。



### FEATURES

- Passed IP46 and IP65 testing
- Polymer mold forming box
- Three-layer of different materials composite grille
- Multiple models and colors to meet outdoor sound reinforcement.
- Applications: all-weather outdoor sound reinforcement, cultural tourism projects, conference rooms, multi-purpose halls, restaurants, coffee bars, luxury shops

### 产品特征

- 产品防护等级达到并通过IP46和IP65标准测试
- 高分子聚合物模具成型箱体
- 三层复合面网
- 多种型号及颜色满足户外扩声。

### 适用范围

- 全天候户外扩声
- 文旅项目
- 会议室、多功能厅、餐厅、咖啡厅、奢侈品店





### ES104/ES104T

1x4" 2-way All-weather  
Small Plastic Multi-purpose Speaker

DRIVERS	1×4" /1"voice coil LF
	1×0.8" /dome tweeter
RATED POWER	40W RMS,160W peak
	10W/20W/40W/OFF/16Ω 40W

### ES106/ES106T

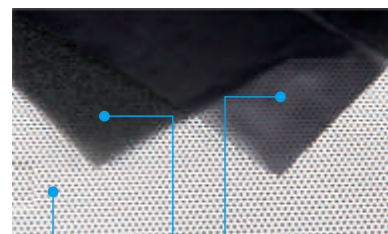
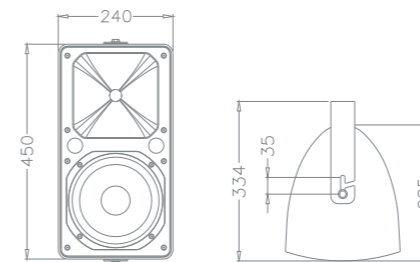
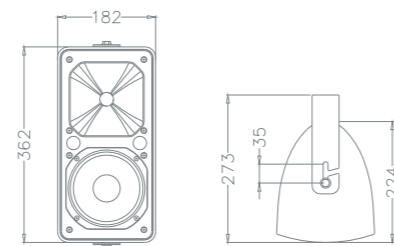
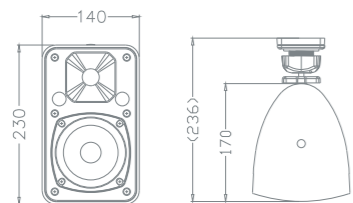
1x6" 2-way All-weather  
Small Plastic Multi-purpose Speaker

DRIVERS	1×6" /1.5"voice coil LF
	1×1" /1" voice coil HF
RATED POWER	80W RMS,320W peak
	20W/40W/80W/OFF/16Ω 80W

### ES108/ES108T

1x8" 2-way All-weather  
Small Plastic Multi-purpose Speaker

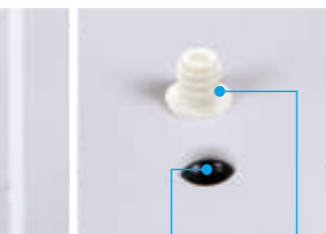
DRIVERS	1×8" /2"voice coil LF
	1×1" /1" voice coil HF
RATED POWER	150W RMS,600W peak
	37.5W/70W/150W/OFF/16Ω 150W



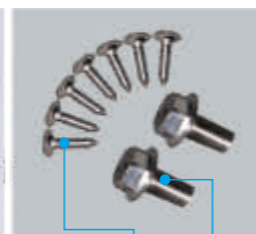
铝质喷涂面网+滤棉+网布  
三层保护、防尘、防水面网  
Aluminum grille with powder spray+foam+mesh  
cloth, three-layer protection, dustproof,  
waterproof grille



抗紫外线箱体材料  
UV resistant housing material



黄铜预埋螺母、防水硅胶盖  
Brass embedded nut, waterproof  
silicone cover



不锈钢螺丝(锁面网、支架安装)  
Stainless steel screw to fix grille and  
wall bracket



凤凰插座与插头  
Phoenix connector



防尘防水盖、防尘防水迫紧头  
Dustproof,waterproof back panel cover and connector



不锈钢喷涂安装支架、不锈钢保险绳  
Stainless steel wall bracket with powder spray,  
stainless steel safety rope



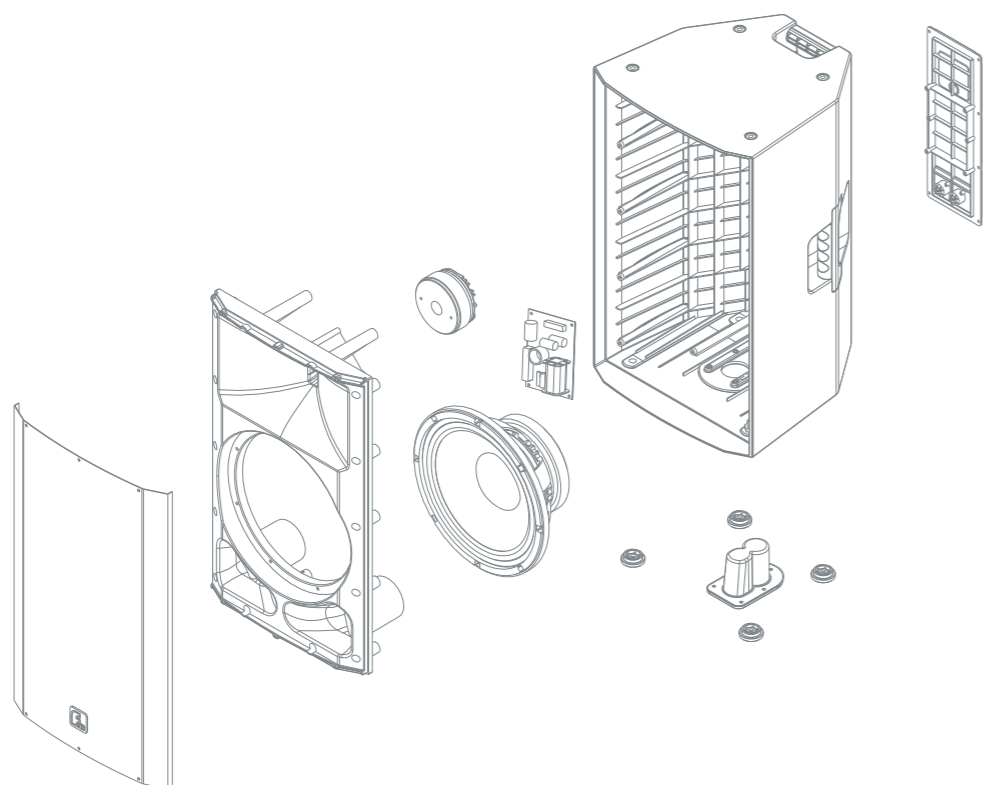


# WP SERIES

## ALL-WEATHER MULTI-PURPOSE PLASTIC SPEAKER

WP series is a range multi-purpose, all-weather speakers. With waterproof, dustproof, windproof and anti-UV aging, the unit is specially made and treated, the cabinet is formed by engineering plastic mold with five-layer of different material composite grille. The product meets the IP56 standard (the fixed angle between front face and horizontal plane  $\leq 90^\circ$ ), the exposed metal parts are sprayed with stainless steel, and the mounting bracket is sprayed with stainless steel to meet the all-weather use. The version can be customized to adapt to the marine environment (the mounting bracket is upgraded to 316 stainless steel). The audio transformer and band switch are designed to achieve a variety of different output powers including constant resistance.

WP系列型号是一组多功能全天候系列音箱。具有防水、防尘、防风、抗紫外线老化，喇叭单元为特制并经过特殊处理，箱体采用工程塑胶模具成型，五层不同材质复合面网。产品满足IP56标准（辐射面与水平角 $\leq 90^\circ$ ），外露金属件和安装支架采用不锈钢喷涂，满足全天候使用，可以定制适应海洋环境的版本（安装支架升级为316不锈钢）。音频变压器及波段开关配合设计，实现多种不同输出功率包括定阻。



### FEATURES

- Passed IP56 testing
- Polymer mold forming box
- Five-layer of different materials composite grille
- Multiple models to meet outdoor sound reinforcement.
- Applications: all-weather outdoor sound reinforcement, cultural tourism projects, conference rooms, multi-purpose halls, restaurants, coffee bars, luxury shops

### 产品特征

- 产品防护等级达到并通过IP56标准测试
- 高分子聚合物模具成型箱体
- 五层复合面网
- 多种型号满足户外扩声。

### 适用范围

- 全天候户外扩声
- 文旅项目
- 会议室、多功能厅、餐厅、咖啡厅、奢侈品店





### WP10/WP10T

1x10" 2-way All-weather Multi-purpose Engineering Speaker

DRIVERS	1 × 10" /2.5" voice coil LF
	1 × 1" /1.7" voice coil HF
RATED POWER	250W RMS, 1000W peak
	50W/100W/200W/OFF/8Ω 250W

### WP12/WP12T

1x12" 2-way All-weather Multi-purpose Engineering Speaker

DRIVERS	1 × 12" /3" voice coil LF
	1 × 1" /1.7" voice coil HF
RATED POWER	300W RMS, 1200W peak
	50W/100W/200W/OFF/8Ω 300W

### WP15/WP15T

1x15" 2-way All-weather Multi-purpose Engineering Speaker

DRIVERS	1 × 15" /3" voice coil LF
	1 × 1" /1.7" voice coil HF
RATED POWER	400W RMS, 1600W peak
	75W/150W/300W/OFF/8Ω 400W

### WP112B

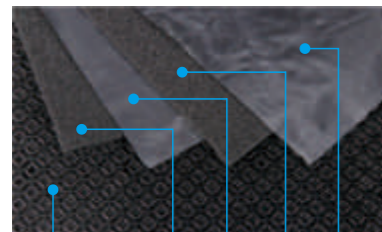
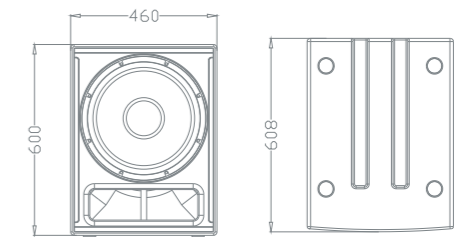
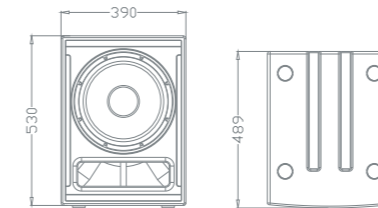
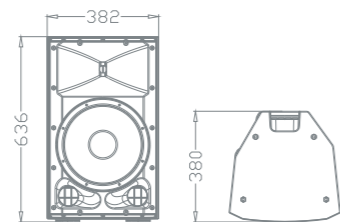
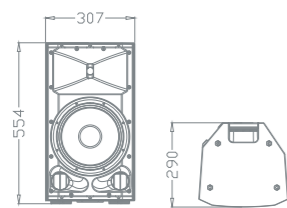
1x12" All-weather Subwoofer

DRIVERS	1 × 12" /3" voice coil LF
RATED POWER	300W RMS, 1200W peak

### WP115B

1x15" All-weather Subwoofer

DRIVERS	1 × 15" /3" voice coil LF
RATED POWER	400W RMS, 1600W peak



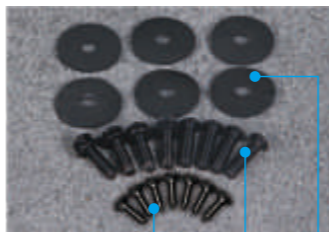
铝质喷涂面网+滤棉+网布+滤棉+网布  
五层保护、防尘、防水面网  
Aluminum grille with powder spray+foam+mesh cloth+foam+mesh cloth, five-layer protection, dustproof, waterproof grille



抗紫外线箱体材料  
UV resistant housing material



黄铜预埋螺母、防水硅胶盖  
Brass embedded nut, waterproof silicone cover

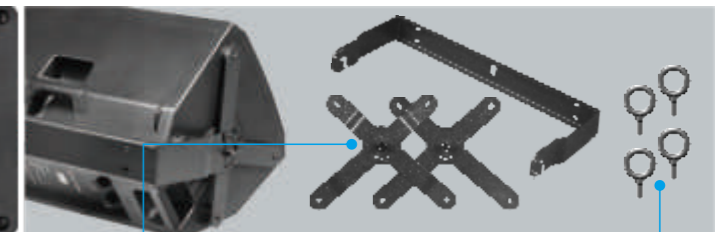


不锈钢螺丝(锁面网、支架安装)、垫片  
Stainless steel screw to fix grille and wall bracket



防尘防水插座、插头  
Dustproof, waterproof M22-2P connector

波段开关  
Band switch



不锈钢喷涂安装支架、M8不锈钢吊环  
Stainless steel wall bracket with powder spray, M8 stainless steel eyebolt

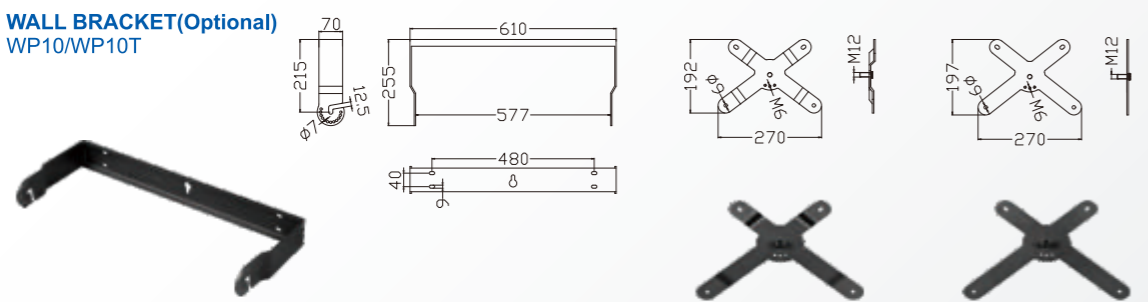


ACCESSORIES

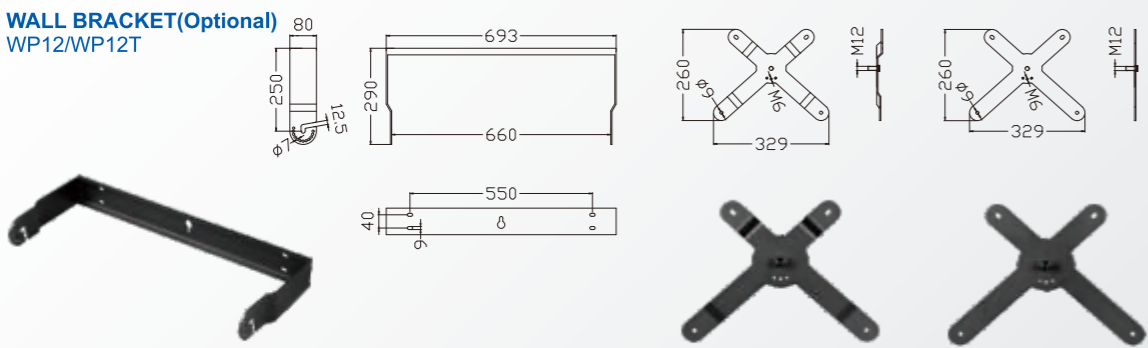
附件

ACCESSORIES

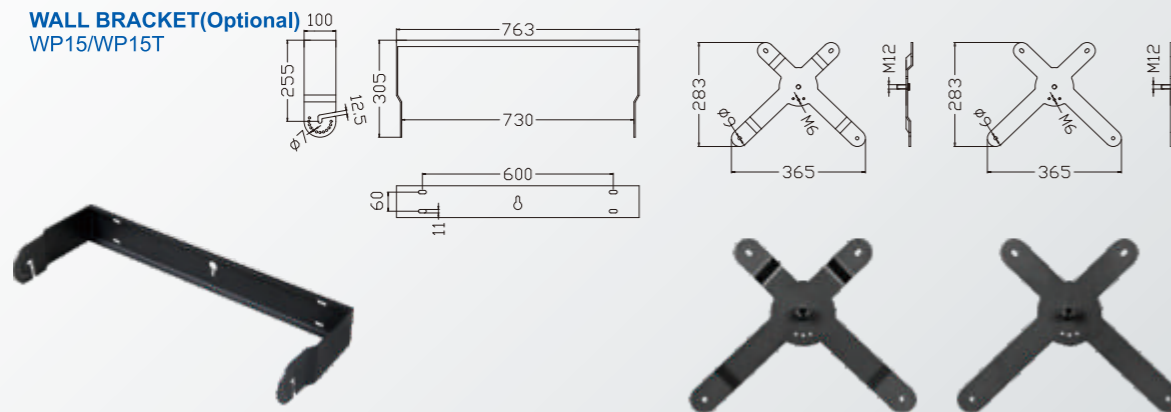
WALL BRACKET(Optional)  
WP10/WP10T



WALL BRACKET(Optional)  
WP12/WP12T



WALL BRACKET(Optional)  
WP15/WP15T



SPECIFICATIONS

MODEL	WP10	WP12	WP15
FREQUENCY RESPONSE(-3dB)	70Hz-18kHz	65Hz-18kHz	60Hz-18kHz
FREQUENCY RESPONSE(-10dB)	65Hz-20kHz	60Hz-20kHz	55Hz-20kHz
DRIVERS	1 × 10"/2.5"voice coil LF 1 × 1"/1.7"voice coil HF	1 × 12"/3"voice coil LF 1 × 1"/1.7"voice coil HF	1 × 15"/3"voice coil LF 1 × 1"/1.7"voice coil HF
INPUT VOLTAGE	--	--	--
RATED POWER	250W RMS,1000W peak	300W RMS,1200W peak	400W RMS,1600W peak
SENSITIVITY	95dB 1watt/1 metre	97dB 1watt/1 metre	98dB 1watt/1 metre
MAXIMUM SPL	119dB continuous,125dB peak	122dB continuous,128dB peak	124dB continuous,130dB peak
IMPEDANCE	8 ohms nominal	8 ohms nominal	8 ohms nominal
DISPERSION(-6dB)	90° × 60°	90° × 60°	90° × 60°
CROSSOVER FREQUENCIES	1.9kHz	1.8kHz	1.6kHz
INPUT CONNECTORS	2 × M22-2P	2 × M22-2P	2 × M22-2P
PACKAGE SIZE	385 × 385 × 600mm	450 × 450 × 685mm	545 × 530 × 771mm
NET WEIGHT	14 kg/pc	20 kg/pc	25 kg/pc
GROSS WEIGHT	16 kg/pc	23 kg/pc	29 kg/pc

MODEL	WP10T	WP12T	WP15T
FREQUENCY RESPONSE(-3dB)	70Hz-18kHz	65Hz-18kHz	60Hz-18kHz
FREQUENCY RESPONSE(-10dB)	65Hz-20kHz	60Hz-20kHz	55Hz-20kHz
DRIVERS	1 × 10"/2.5"voice coil LF 1 × 1"/1.7"voice coil HF	1 × 12"/3"voice coil LF 1 × 1"/1.7"voice coil HF	1 × 15"/3"voice coil LF 1 × 1"/1.7"voice coil HF
INPUT VOLTAGE	100V	100V	100V
RATED POWER	50W/100W/200W/OFF/8Ω 250W	50W/100W/200W/OFF/8Ω 300W	75W/150W/300W/OFF/8Ω 400W
SENSITIVITY	95dB 1watt/1 metre	97dB 1watt/1 metre	98dB 1watt/1 metre
MAXIMUM SPL	119dB continuous,125dB peak	122dB continuous,128dB peak	124dB continuous,130dB peak
IMPEDANCE	8 ohms nominal	8 ohms nominal	8 ohms nominal
DISPERSION(-6dB)	90° × 60°	90° × 60°	90° × 60°
CROSSOVER FREQUENCIES	1.9kHz	1.8kHz	1.6kHz
INPUT CONNECTORS	2 × M22-2P	2 × M22-2P	2 × M22-2P
PACKAGE SIZE	385 × 385 × 600mm	450 × 450 × 685mm	545 × 530 × 771mm
NET WEIGHT	16 kg/pc	22 kg/pc	27 kg/pc
GROSS WEIGHT	18 kg/pc	25 kg/pc	31 kg/pc

MODEL	WP112B	WP115B
FREQUENCY RESPONSE(-3dB)	45Hz-250Hz	45Hz-250Hz
FREQUENCY RESPONSE(-10dB)	40Hz-300Hz	40Hz-300Hz
DRIVERS	1 × 12"/3"voice coil LF -	1 × 15"/3"voice coil LF -
INPUT VOLTAGE	-	-
RATED POWER	300W RMS,1200W peak	400W RMS,1600W peak
SENSITIVITY	96dB 1watt/1 metre	99dB 1watt/1 metre
MAXIMUM SPL	121dB continuous,127dB peak	125dB continuous,131dB peak
IMPEDANCE	8 ohms nominal	8 ohms nominal
DISPERSION(-6dB)	-	-
CROSSOVER FREQUENCIES	-	-
INPUT CONNECTORS	2 × NL4	2 × NL4
PACKAGE SIZE	580mm × 480mm × 625mm	700mm × 550mm × 695mm
NET WEIGHT	25 kg/pc	32 kg/pc
GROSS WEIGHT	29 kg/pc	36 kg/pc

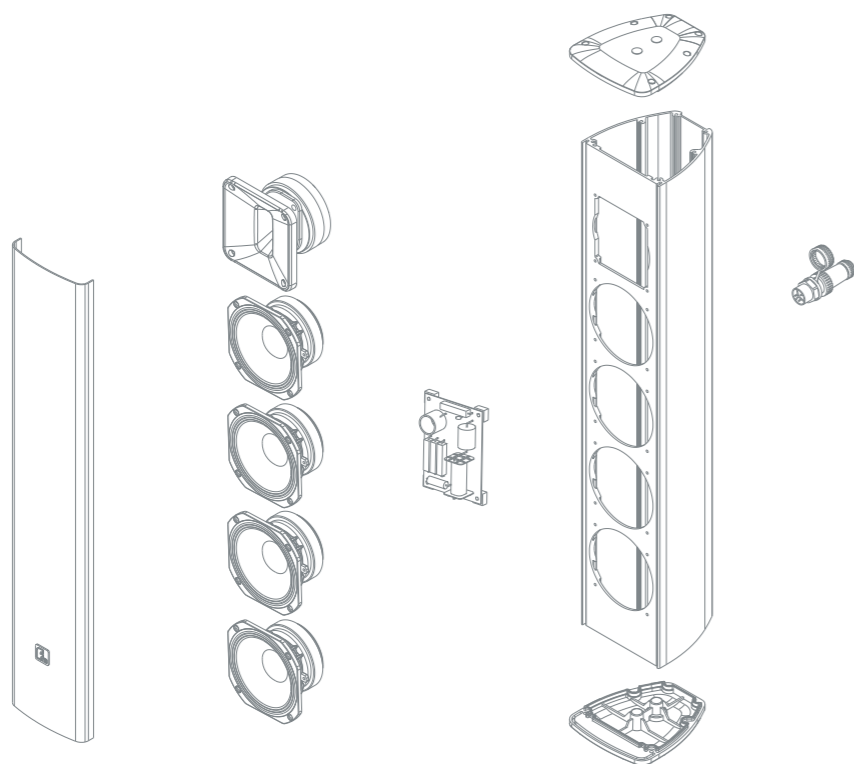


# CL SERIES

## ALL-WEATHER MULTI-FUNCTION COLUMN SPEAKER

The CL series is a group of all-weather, two-way column speaker, with waterproof, dustproof, windproof, anti-uv aging. the unit is specially made and treated, aluminium alloy housing, three-layer of different materials composite grille, the product meets the IP56 standard (the fixed angle between front face and horizontal plane  $\leq 90^\circ$ ), the exposed metal parts are sprayed with stainless steel or aluminum, and the mounting bracket is sprayed with stainless steel to meet the all-weather use. The version can be customized to adapt to the marine environment (the mounting bracket is upgraded to 316 stainless steel). The audio transformer and band switch are designed to achieve a variety of different output powers including constant resistance.

CL系列是一组全天候两分音音柱，具有防水、防尘、防风、抗紫外线老化，喇叭单元为特制并经过特殊处理，铝合金箱体，三层不同材质复合面网，产品满足IP56标准(辐射面与水平面夹角 $\leq 90^\circ$ )，外露金属件采用不锈钢或铝质喷涂，安装支架为不锈钢喷涂满足全天候使用，可以定制适应海洋环境的版本(安装支架升级为316不锈钢)。音频变压器及波段开关配合设计，实现多种不同输出功率包括定阻。



### FEATURES

- Product parameters have been entered into EASE loudspeaker database
- Passive way, two-way design
- Passed IP56 testing
- Aluminum alloy housing
- Three-layer different functional grille.
- Multiple models and colors to meet outdoor sound reinforcement.
- Applications: All-weather outdoor sound reinforcement, cultural tourism projects, conference rooms, multi-purpose halls, churches

### 产品特征

- 产品参数录入EASE数据库
- 两分音内置分音
- 产品防护等级达到并通过IP56标准测试
- 铝合金箱体
- 三层复合面网
- 多种型号及颜色

### 适用范围

- 全天候户外扩声
- 文旅项目
- 会议室、多功能厅、教堂





# CL4023/CL4023T

2x4" 2-way All-weather Multi-function Column Speaker

DRIVERS	2 × 4"(100mm)/1"voice coil LF 1 × 1"(25mm)/1.4" voice coil HF
RATED POWER	65W RMS,260W peak 15W/30W/60W/OFF/8Ω 65W

# CL4025/CL4025T

4x4" 2-way All-weather Multi-function Column Speaker

DRIVERS	4 × 4"(100mm)/1"voice coil LF 1 × 1"(25mm)/1" voice coil HF
RATED POWER	130W RMS,520W peak 30W/60W/120W/OFF/8Ω 130W

# CL4027/CL4027T

6x4" 2-way All-weather Multi-function Column Speaker

DRIVERS	6 × 4"(100mm)/1"voice coil LF 1 × 1"(25mm)/1" voice coil HF
RATED POWER	200W RMS,800W peak 37.5W/75W/150W/OFF/8Ω 200W

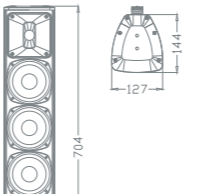
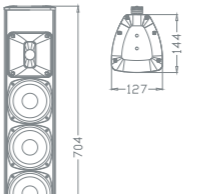
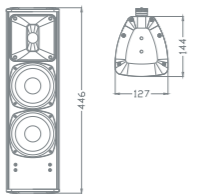
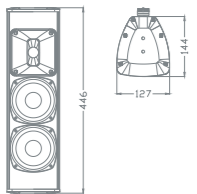


CL4023B/CL4023T

CL4023BT/CL4023WT

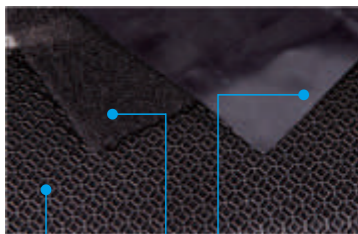
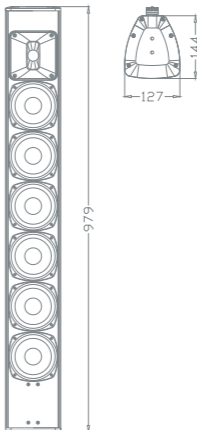
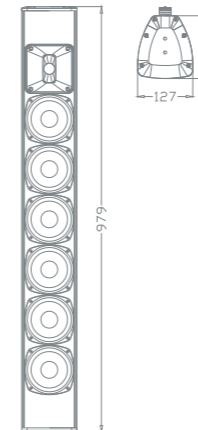
CL4025B/CL4025T

CL4025BT/CL4025WT



CL4027B/CL4027T

CL4027BT/CL4027WT



铝质喷涂面网+滤棉+网布  
三层保护、防尘、防水面网  
Aluminum grille with powder spray+foam+mesh  
cloth, three-layer protection, dustproof,  
waterproof grille



铝合金喷涂箱体  
喷涂上下盖  
Aluminum housing with  
powder spray  
Top and bottom cover  
with powder spray



Kevlar  
防水鼓纸单元  
Kevlar waterproof  
paper cone unit



波段开关  
Band switch



防尘防水插座、插头  
Dustproof, waterproof  
M22-2P connector



防水硅胶盖  
不锈钢上下盖锁紧螺丝  
Waterproof silicone cover,  
stainless steel screws to fix top  
and bottom cover



喷涂安装支架(碳钢、不锈钢)  
Wall bracket with powder spray  
(carbon steel, stainless steel)





ACCESSORIES

附件

SPECIFICATIONS

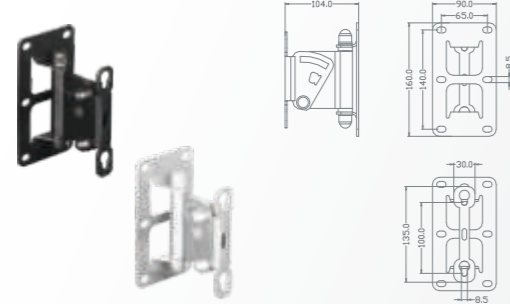
MODEL	CL4023B/CL4023W	CL4023BT/CL4023WT
FREQUENCY RESPONSE(-3dB)	125Hz-17kHz	125Hz-17kHz
FREQUENCY RESPONSE(-10dB)	120Hz-18kHz	120Hz-18kHz
DRIVERS	2×4"/1"voice coil LF 1×1"/1.4"voice coil HF	2×4"/1"voice coil LF 1×1"/1.4"voice coil HF
INPUT VOLTAGE		100V
RATED POWER	65W RMS,260W peak	15W/30W/60W/OFF/8Ω 65W
SENSITIVITY	91dB 1watt/1 metre	91dB 1watt/1 metre
MAXIMUM SPL	109dB continuous,115dB peak	109dB continuous,115dB peak
IMPEDANCE	8 ohms nominal	8 ohms nominal
DISPERSION(-6dB)	100°×60°	100°×60°
CROSSOVER FREQUENCIES	1.8kHz	1.8kHz
INPUT CONNECTORS	M22-2P	M22-2P
PACKAGE SIZE	517mm×380mm×193mm(1Pair)	517mm×380mm×193mm(1Pair)
NET WEIGHT	5.5 kg/pc	6 kg/pc
GROSS WEIGHT	13 kg/pair	14 kg/pair

MODEL	CL4025B/CL4025W	CL4025BT/CL4025WT
FREQUENCY RESPONSE(-3dB)	125Hz-17kHz	125Hz-17kHz
FREQUENCY RESPONSE(-10dB)	120Hz-18kHz	120Hz-18kHz
DRIVERS	4×4"/1"voice coil LF 1×1"/1.4"voice coil HF	4×4"/1"voice coil LF 1×1"/1.4"voice coil HF
INPUT VOLTAGE		100V
RATED POWER	130W RMS,520W peak	30W/60W/120W/OFF/8Ω 130W
SENSITIVITY	94dB 1watt/1 metre	94dB 1watt/1 metre
MAXIMUM SPL	115dB continuous,121dB peak	115dB continuous,121dB peak
IMPEDANCE	8 ohms nominal	8 ohms nominal
DISPERSION(-6dB)	100°×50°	100°×50°
CROSSOVER FREQUENCIES	1.9kHz	1.9kHz
INPUT CONNECTORS	M22-2P	M22-2P
PACKAGE SIZE	775mm×380mm×193mm(1 pair)	775mm×380mm×193mm(1 pair)
NET WEIGHT	8.5 kg/pc	9 kg/pc
GROSS WEIGHT	20 kg/pair	21 kg/pair

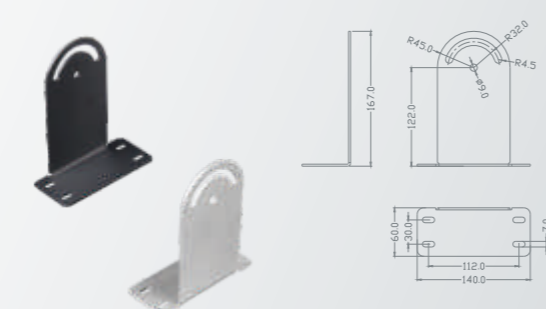
MODEL	CL4027B/CL4027W	CL4027BT/CL4027WT
FREQUENCY RESPONSE(-3dB)	125Hz-17kHz	125Hz-17kHz
FREQUENCY RESPONSE(-10dB)	120Hz-18kHz	120Hz-18kHz
DRIVERS	6×4"/1"voice coil LF 1×1"/1.4"voice coil HF	6×4"/1"voice coil LF 1×1"/1.4"voice coil HF
INPUT VOLTAGE		100V
RATED POWER	200W RMS,800W peak	37.5W/75W/150W/OFF/6Ω 200W
SENSITIVITY	96dB 1watt/1 metre	96dB 1watt/1 metre
MAXIMUM SPL	119dB continuous,125dB peak	119dB continuous,125dB peak
IMPEDANCE	6 ohms nominal	6 ohms nominal
DISPERSION(-6dB)	100°×40°	100°×40°
CROSSOVER FREQUENCIES	2.2kHz	2.2kHz
INPUT CONNECTORS	M22-2P	M22-2P
PACKAGE SIZE	1050mm×380mm×193mm(1 pair)	1050mm×380mm×193mm(1 pair)
NET WEIGHT	11 kg/pc	12 kg/pc
GROSS WEIGHT	26 kg/pair	27 kg/pair

ACCESSORIES

WALL BRACKET(4)  
(Optional)



WALL BRACKET(9)  
(Optional)





# LS SERIES

## ALL-WEATHER LANDSCAPE SPEAKER

LS series is a group of all-weather two-way speaker, fashion style, compact design, close to the ground installation, full bass, transparent and bright mid-high, grass green can be integrated with the environment, with waterproof, dustproof, windproof, anti-uv aging, the unit is specially made and treated, the cabinet is formed by engineering plastic mold with three-layer of different materials composite grille the product meets the IP56 standard, to meet all-weather use. The audio transformer and band switch are designed to achieve a variety of different output powers including constant resistance.

LS系列是一组全天候两分音音箱，时尚造型、紧凑设计，贴地安装，低音丰满、中高音通透、明亮，草绿色可与环境融为一体。具有防水、防尘、防风、抗紫外线老化，喇叭单元为特制并经过特殊处理，塑胶模具成型箱体，三层不同材质复合面网，产品满足IP56标准，满足全天候使用，音频变压器及波段开关配合设计，实现多种不同输出功率包括定阻。



### SPECIFICATIONS

MODEL	LS205	LS208
FREQUENCY RESPONSE(-3dB)	70Hz-15KHz	65Hz-15KHz
FREQUENCY RESPONSE(-10dB)	65Hz-16KHz	60Hz-16KHz
LF DRIVER	1×5.25"/ 1.5" voice coil	1×8"/ 2" voice coil
HF DRIVER	1×0.8"/ 1" voice coil	1×0.8"/ 1" voice coil
INPUT VOLTAGE	100V	100V
RATED POWER	15W/30W/60W/OFF/8Ω 60W	37.5W/75W/150W/OFF/8Ω 150W
SENSITIVITY	86dB 1watt/1 metre	88dB 1watt/1 metre
MAXIMUM SPL	103dB continuous,109 dB peak	109dB continuous,115 dB peak
IMPEDANCE	8 ohms	8 ohms
DISPERSION(-6dB)	360°×90°	360°×90°
CROSSOVER FREQUENCIES	3.2kHz	2.8kHz
PACKAGE SIZE	405×405×500 mm	470×470×585 mm
NET WEIGHT	7.5kg/pc	10.5kg/pc
GROSS WEIGHT	9.5kg/pc	13kg/pc

### FEATURES

- Passed IP56 testing
- Engineering plastic mold forming box, strong weather resistance
- 360°horizontal coverage angle
- Applications: villa gardens, cultural parks, cultural tourism projects

### 产品特点

- 通过IP56测试
- 工程塑胶模具成型箱体，耐候性极强
- 水平360°覆盖角度
- 适用范围：别墅园林、文化公园、文旅项目





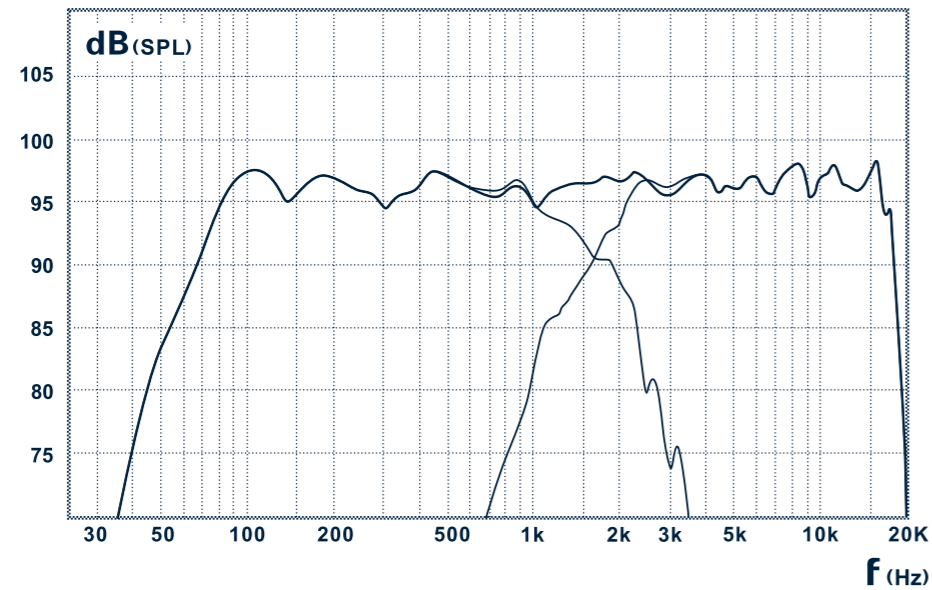


FDB AUDIO MANUFACTURE CO.,LTD.



ALL-WEATHER SPEAKER SYSTEM

f & dB → fdB fdB



## 我们的承诺 OUR PROMISE

尊敬的客户，感谢您选用fdB产品，fdB的产品研发、材料采购、产品制造、质量验证、客户服务、持续改善过程满足ISO9001:2015质量管理体系标准的要求，请放心选用，为此fdB承诺：

一. fdB电声产品，自购买之日起享有5年免费质保。5年质保期内，fdB免费维修正常使用情况下出现的故障或免费提供零、配件。

二. fdB电子产品，自购买之日起享有3年免费质保。3年质保期内，fdB免费维修正常使用情况下出现的故障或免费提供元器件或配件。

三. 因非正常使用，例如：系统搭配不合理而造成低音喇叭烧音圈，电子产品使用电压与产品标注电压不符而造成的损坏，fdB只按成本价收取维修费用、收取元器件或配件费用。

此承诺书的最终解释权归属fdB。

Dear customer, thank you for choosing fdB products, all the research and development, material procurement, product manufacturing, quality control, customer service and continuous improvement process of fdB products all meet the requirements of ISO9001:2015 quality management system standard, please feel free to choose, and fdB promises:

1. fdB electroacoustic products, enjoy 5 years free warranty from the date of purchase. During the warranty period, fdB will free repair the products damaged under normal use or provide the free spare parts damaged under normal.

2. fdB electronic products enjoy 3 years warranty from the date of purchase. During the warranty period, fdB will free repair the products damaged under normal use or provide the free components or accessories damaged under normal use.

3. Due to abnormal use, such as woofer voice coil burnt caused by unreasonable system collocation, electronic products damaged caused by inconsistent voltage, charging maintenance fees or charging components and accessories fees at cost price.

fdB has the right of final interpretation of this commitment.

商标注册证  
Trademark Registration Certificate

